

6

5

4

3

2

1

MATERIAL AND FINISH:

Insulator: Glass filled Nylon, black, UL-94-HB rated

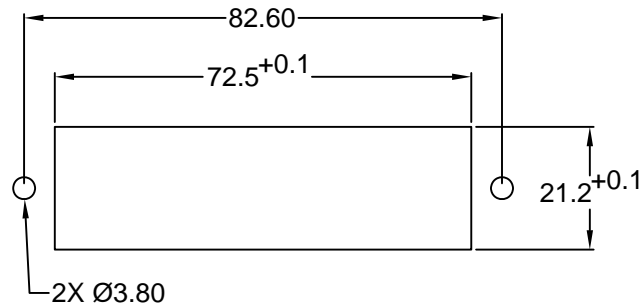
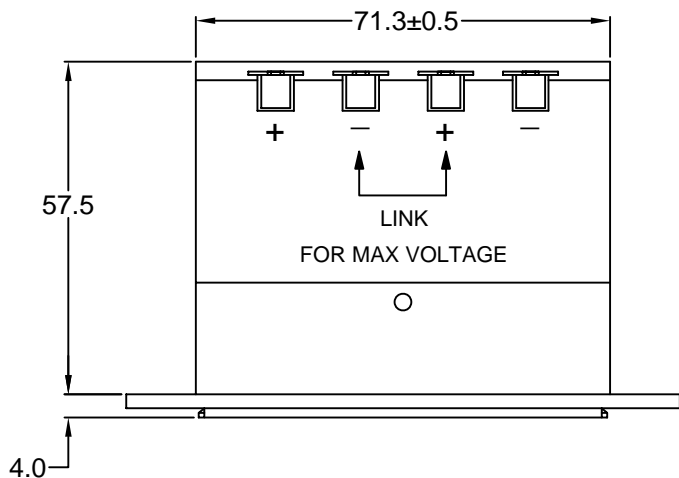
Contacts: Phosphor Bronze, Tin plated

Clean Nickel Silver

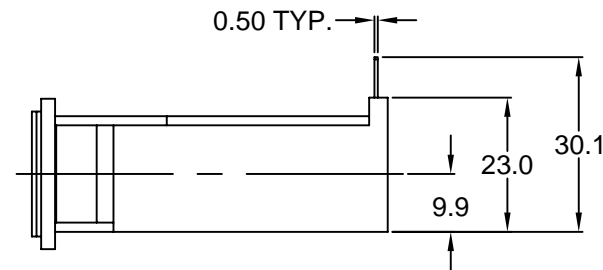
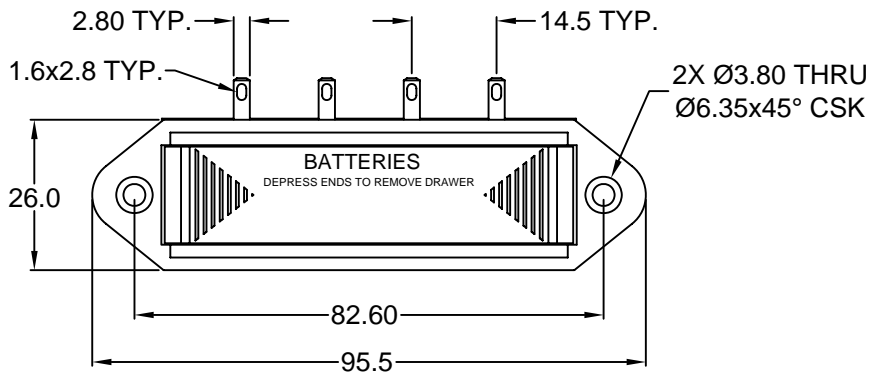
ENVIRONMENTAL

Operating temperature: -30°C TO +70°C

RoHS
COMPLIANT



RECOMMENDED
PANEL CUTOUT



REVISIONS	CHANGE	CHNG	CHK	APPR			
	DATE	SS	LH	AH			
	5/97	SS	LH	AH			
	12/99	PB	TD	JJ			
	REVISED / UPDATED	GO	TD	PB			
REV	DATE	BY	CHK	APP			
A	5/97	SS	LH	AH			
B	12/99	PB	TD	JJ			
C	03/01/02	GO	TD	PB			

TOLERANCE UNLESS OTHERWISE SPECIFIED	
X	± 1
X.X	± 0.4
X.XX	± 0.20
DRAWN BY	SS
DATE:	1-11-95
CHECK BY	LH
DATE:	1-12-95
APPR BY	AH
DATE:	1-12-95

Power Dynamics, Inc.
 Phone: 973 560-0019 Whippany, New Jersey Fax: 973 560-0076

PART: 4 CELL AA (R6) BATTERY HOLDER, PANEL MOUNT, SOLDER TERMINALS

B27

SIZE: A
SCALE: NTS

ALL DIMENSIONS FOR REFERENCE ONLY
DIMENSIONS ARE IN MILLIMETERS

SHEET 1 of 1
REV: C