

6

5

4

3

2

1

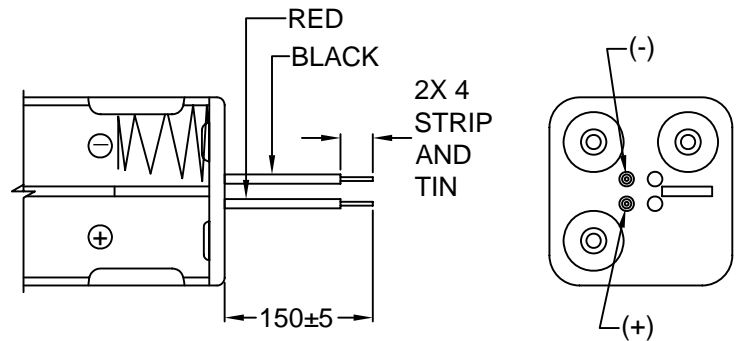
MATERIAL AND FINISH:

Insulator: Impact resistance Polypropylene, black,
UL-94V-HB rated
PDSN-44-2A (wire leads): PVC, 26 AWG
Contact & terminals:
PDSN-44-2C: Brass, Nickel plated

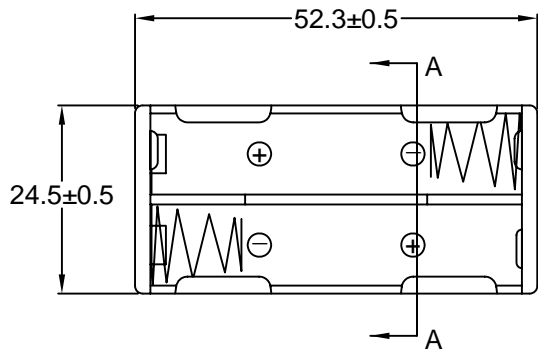
Spring: Spring Steel, Nickel plated imbedded in
Polypropylene

ENVIRONMENTAL:

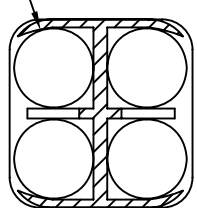
Operating temperature: -5°C to +83°C



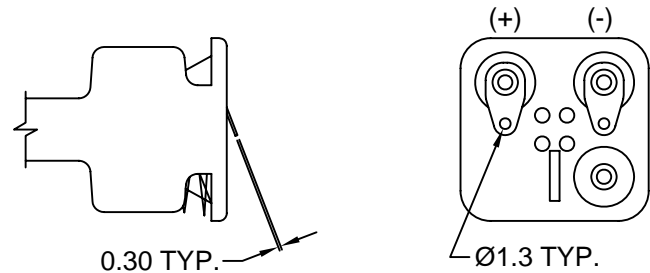
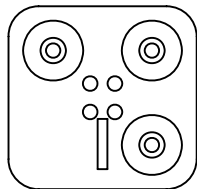
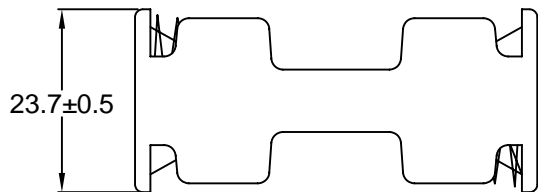
PDSN-44-2A WIRE LEADS



4X "AAA"
BATTERIES



SECTION A-A



PDSN-44-2C SOLDER LUGS

REVISIONS
CHANGE
CHK
APPR
REV
DATE

TOLERANCE UNLESS OTHERWISE SPECIFIED		
X	±	1
X.X	±	0.4
X.XX	±	0.20
DRAWN BY	GQ	DATE: 04/23/02
CHECK BY	TD	DATE: 05/08/02
APPR BY	PB	DATE: 05/08/02

Power Dynamics, Inc.
Phone: 973 560-0019 Whippany, New Jersey Fax: 973 560-0076

PART: 4 CELL TYPE "AAA" BATTERY HOLDER
SIDE BY SIDE

PART #: PDSN-44-2X		SHEET 1 of 1
SIZE: A	ALL DIMENSIONS FOR REFERENCE ONLY DIMENSIONS ARE IN MILLIMETERS	REV:
SCALE: NTS		

6

5

4

3

2

1