

6

5

4

3

2

1

MATERIAL AND FINISH:

Insulator: Glass filled Nylon, black, UL-94-HB rated

Contacts: Clean Nickel Silver

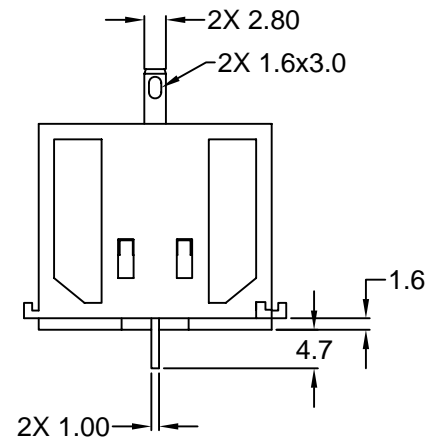
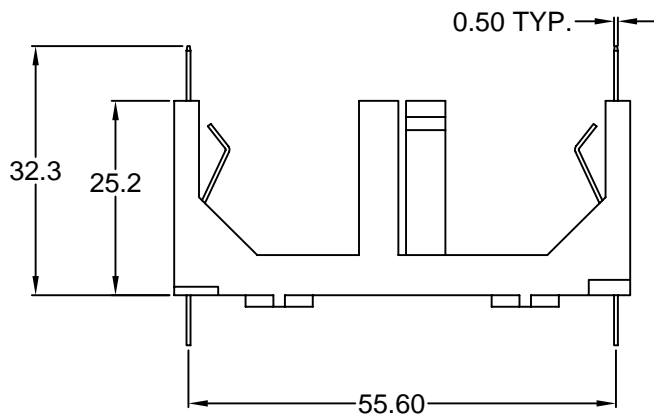
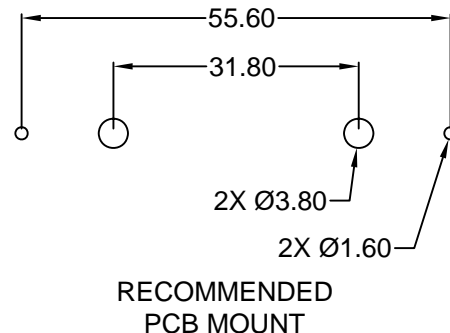
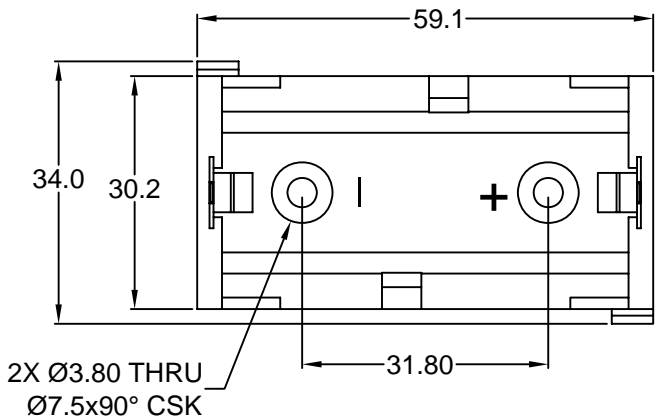
ENVIRONMENTAL

Operating temperature: -30°C TO +70°C

RoHS
COMPLIANT

NOTES:

Dual connections. P.C. spills & (P.C. spills may be removed if required)



REV	DATE	CHANGE	CHNG CHECK APPR	
			GO	PB
			TD	PB
A	03/14/02	REVISED / UPDATED	GO	PB

REVISIONS

TOLERANCE UNLESS OTHERWISE SPECIFIED			
X	± 1		
X.X	± 0.4		
X.XX	± 0.20		
DRAWN BY	TD	DATE:	04/13/99
CHECK BY	PAJ	DATE:	04/14/99
APPR BY	SS	DATE:	04/14/99

Power Dynamics, Inc.
 Phone: 973 560-0019 Whippany, New Jersey Fax: 973 560-0076

PART: 1 CELL C (R14) BATTERY HOLDER, PCB/
 BASEBOARD MOUNT, SOLDER TERMINALS

B36

SIZE: A
 SCALE: NTS

ALL DIMENSIONS FOR REFERENCE ONLY
 DIMENSIONS ARE IN MILLIMETERS

SHEET 1 of 1
 REV: A

6

5

4

3

2

1