

6

5

4

3

2

1

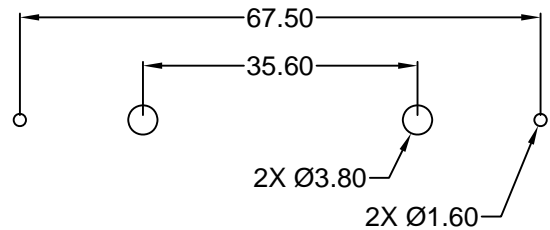
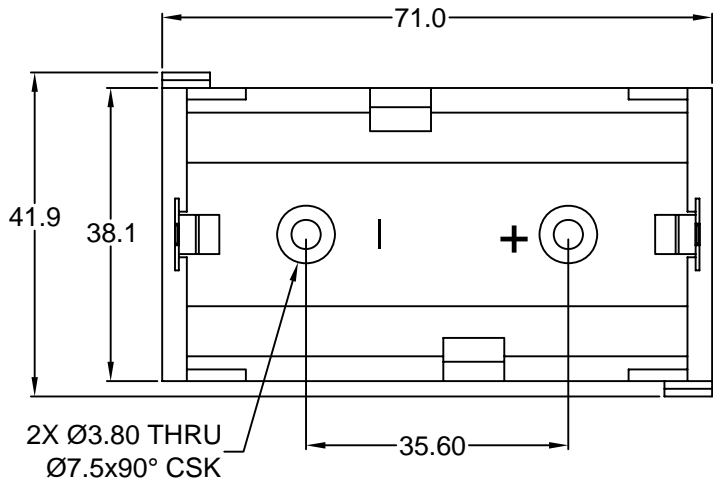
MATERIAL AND FINISH:

Insulator: Glass filled Nylon, black,
UL-94-HB rated
Contacts: Clean Nickel Silver

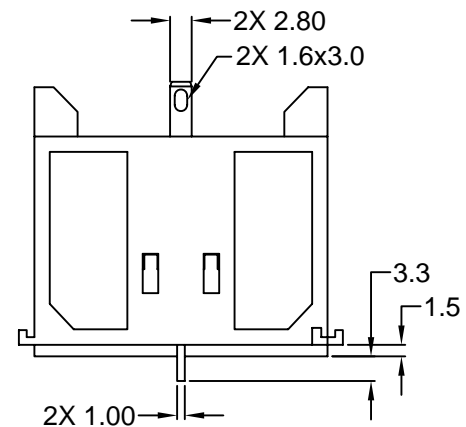
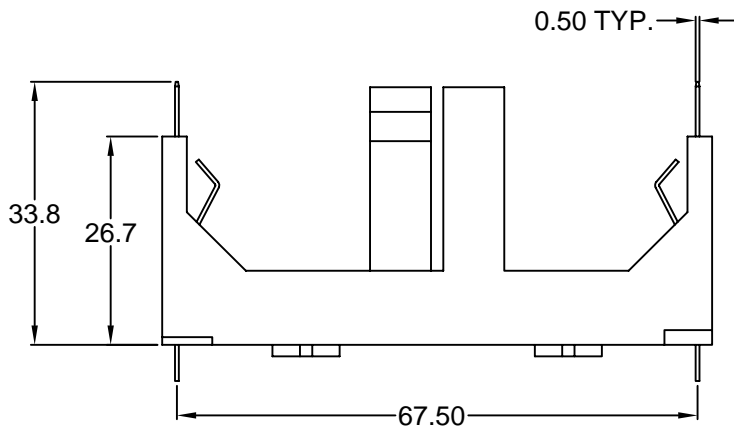
ENVIRONMENTAL

Operating temperature: -30°C TO +70°C

RoHS
COMPLIANT



RECOMMENDED
PCB LAYOUT



REVISIONS	REV	DATE	CHANGE	CHNG	CHK	APPR
	A	03/15/02	REVISED / UPDATED	GO	TD	PB

TOLERANCE UNLESS OTHERWISE SPECIFIED			
X	± 1		
X.X	± 0.4		
X.XX	± 0.20		
DRAWN BY	PB	DATE:	11/20/01
CHECK BY	TD	DATE:	11/20/01
APPR BY		DATE:	

Power Dynamics, Inc.
 Phone: 973 560-0019 Whippany, New Jersey Fax: 973 560-0076

PART: 1 CELL D (R20) BATTERY HOLDER
INTERLOCKING; PCB / BASEBOARD MOUNT

B37

SIZE: A
 SCALE: NTS

ALL DIMENSIONS FOR REFERENCE ONLY
 DIMENSIONS ARE IN MILLIMETERS

SHEET 1 of 1
 REV: A