

6

5

4

3

2

1

MATERIAL AND FINISH:

Insulator: Impact resistance Polypropylene, black,
UL-94V-HB rated

PDSN-16-1A (wire leads): PVC, 26 AWG

Contact & terminals:

PDSN-16-1B: Brass, Nickel plated

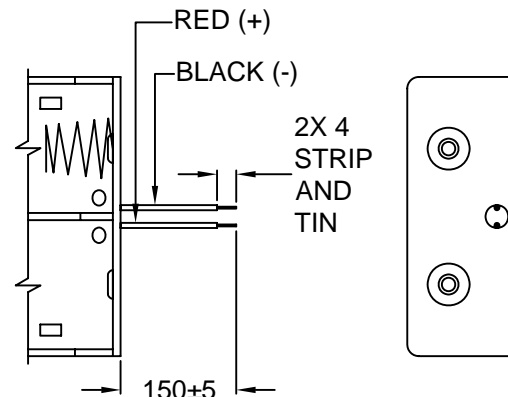
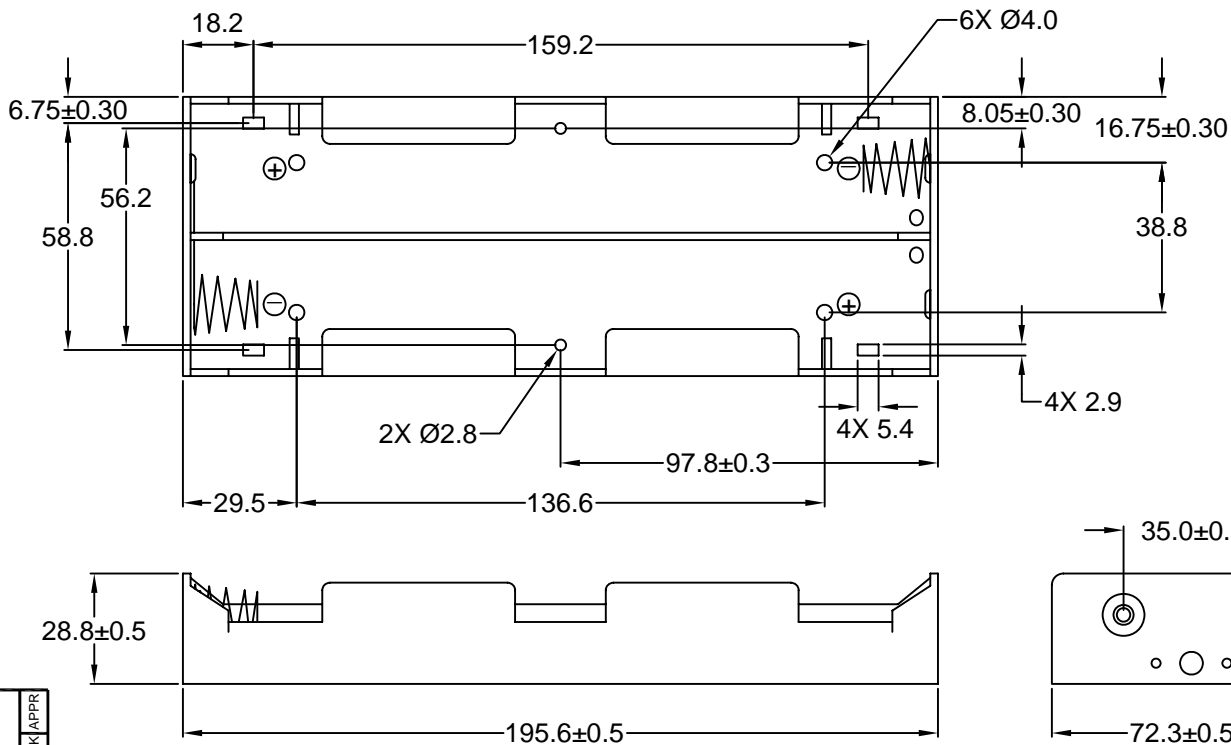
PDSN-16-1C: Brass, Nickel plated

Spring: Spring Steel, Nickel plated imbedded in
Polypropylene

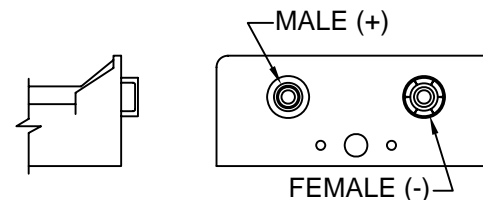
ENVIRONMENTAL:

Operating temperature: -5°C to +83°C

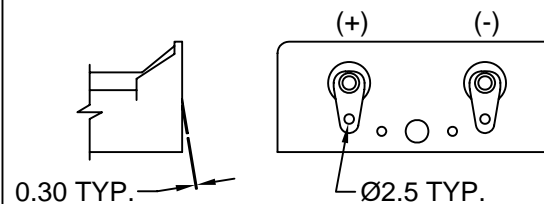
**RoHS
COMPLIANT**



PDSN-16-1A WIRE LEADS



PDSN-16-1B SNAP TERMINAL



PDSN-16-1C SOLDER LUGS

REVISIONS
CHANGE
CHKG
CHECK
APPR
REV
DATE

TOLERANCE UNLESS OTHERWISE SPECIFIED	
X	± 1
X.X	± 0.4
X.XX	± 0.20

Power Dynamics, Inc.
 Phone: 973 560-0019 Whippany, New Jersey Fax: 973 560-0076
PART: 6 CELL TYPE "D" BATTERY HOLDER

DRAWN BY	GQ	DATE:	05/30/02
CHECK BY	TD	DATE:	06/04/02
APPR BY	PB	DATE:	06/04/02

PDSN-16-1X		SHEET 1 of 1
PART #:		
SIZE:	A	ALL DIMENSIONS FOR REFERENCE ONLY DIMENSIONS ARE IN MILLIMETERS
SCALE:	NTS	
REV:		