

6

5

4

3

2

1

MATERIAL AND FINISH:

Insulator: Impact resistance Polypropylene, black, UL-94V-HB rated

PDSN-18-2A (wire leads): PVC, 26 AWG

Contact & terminals:

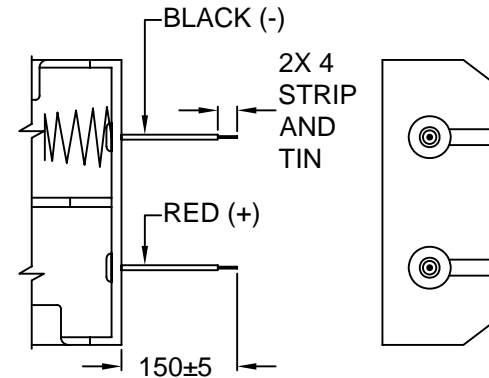
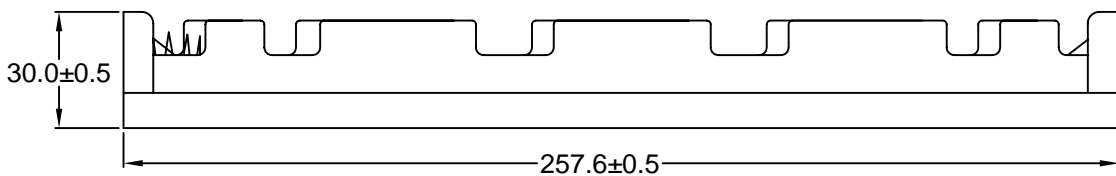
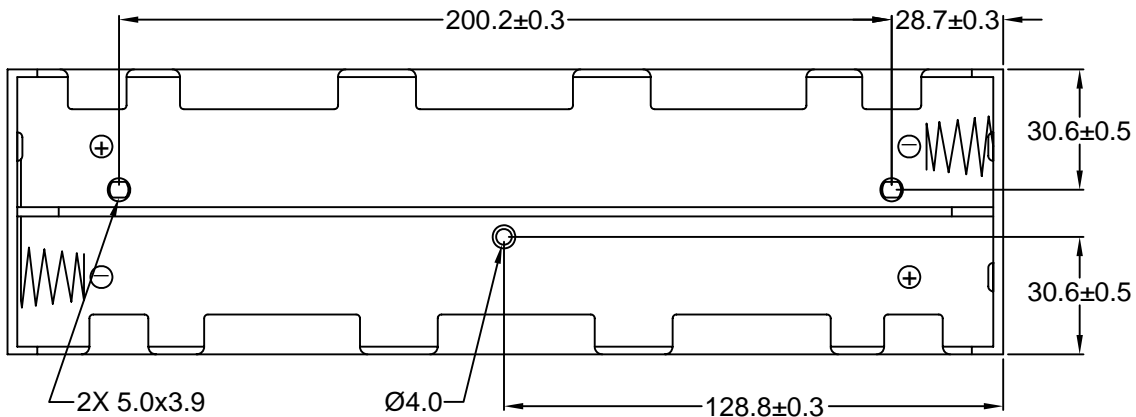
PDSN-18-2B: Brass, Nickel plated

PDSN-18-2C: Brass, Nickel plated

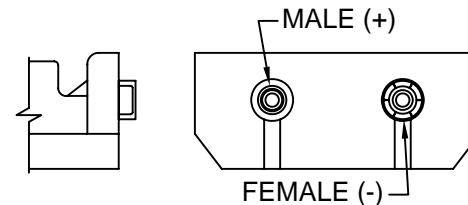
Spring: Spring Steel, Nickel plated imbedded in Polypropylene

ENVIRONMENTAL:

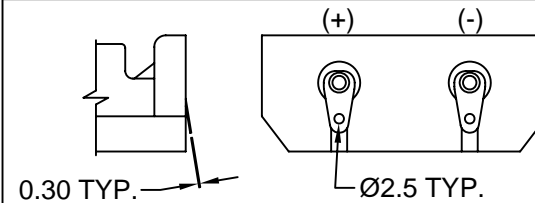
Operating temperature: -5°C to +83°C



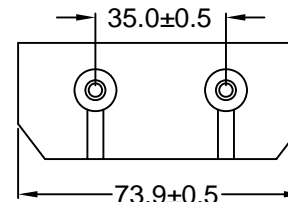
PDSN-18-2A WIRE LEADS



PDSN-18-2B SNAP TERMINAL



PDSN-18-2C SOLDER LUGS



REVISIONS
CHANGE
CHKG
CHECK
APPR
DATE
REV

TOLERANCE	
UNLESS OTHERWISE SPECIFIED	
X	± 1
X.X	± 0.4
X.XX	± 0.20

Power Dynamics, Inc.

Phone: 973 560-0019 Whippany, New Jersey Fax: 973 560-0076

PART: 8 CELL TYPE "D" BATTERY HOLDER

DRAWN BY	GQ	DATE:	06/04/02
CHECK BY	TD	DATE:	06/04/02
APPR BY	PB	DATE:	06/04/02

PART #: PDSN-18-2X		SHEET 1 of 1
SIZE: A	ALL DIMENSIONS FOR REFERENCE ONLY DIMENSIONS ARE IN MILLIMETERS	REV:
SCALE: NTS		