

Waterproof Standard Density

Data

Materials and finish

Shell: Steel ,dimples on plug

Insulator: PBT thermoplastic, 30% glass filled,
UL 94V-0 rated

Watertight frame: PBT GF, UL 94V-0 , black color

O-Ring: Silicone

Epoxy sealant: Epoxy

Contact material: Copper alloy

Electrical characteristics

Contact current rating: 5.0 A

Contact resistance: 10 mΩ max.

Dielectric withstanding voltage: 1000 V DC (for 1 minute)

Insulation resistance: 5000 MΩ min.

Temperature rating: -25°C ~ +85°C

Degree of protection: IP67 according to IEC60529

Safety Approval: UL in preparation

D-Sub 90°



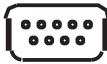
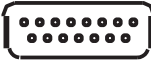
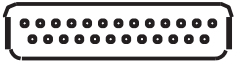
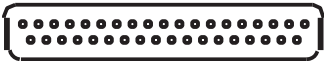
D-Sub Straight



D-Sub Solder

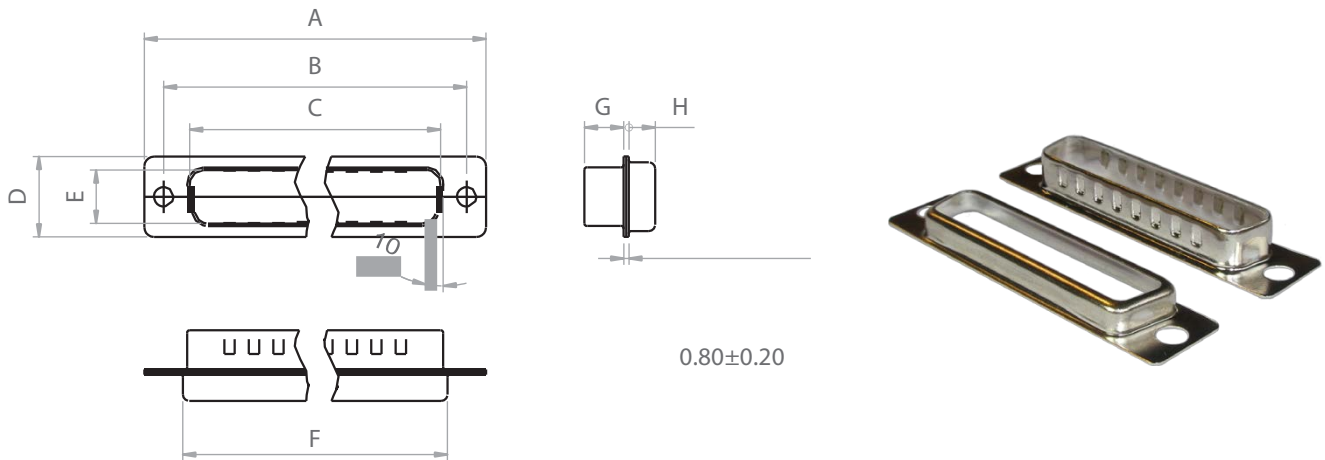


Contact Variants

SHELL SIZE	HOUSING TYPE
9	
15	
25	
37	

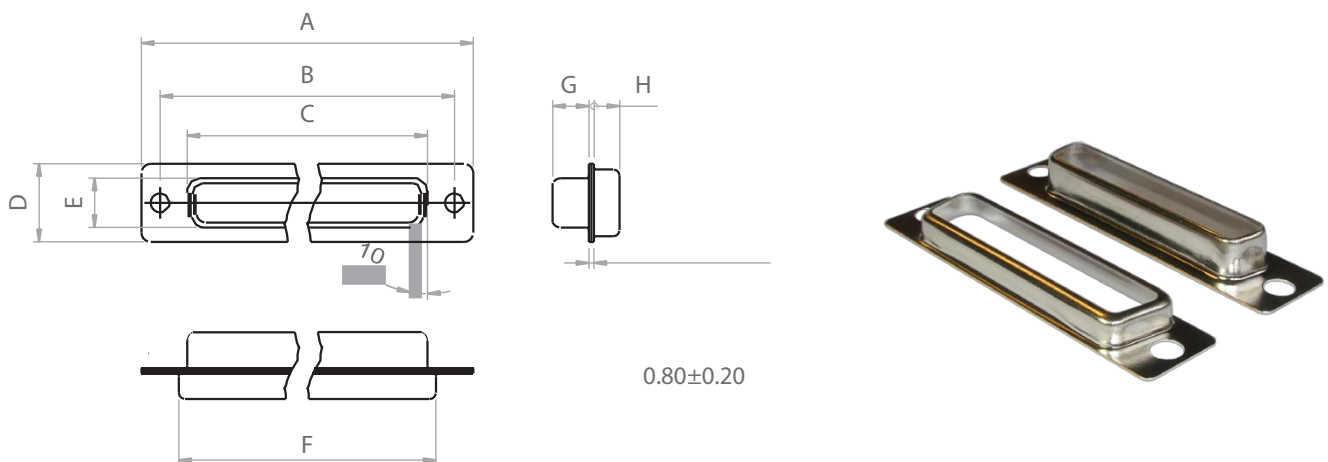
Standard Shell Assembly

MALE SHELL *Note: This male shell is used for all the male connectors*



SHELL SIZE	A±0.20mm	B±0.15mm	C±0.20mm	D±0.20mm	E±0.20mm	F±0.20mm	G±0.20mm	H±0.15mm
9	30.8	25	16.9	12.5	8.3	19.25	6.1	4.1
15	39.2	33.3	25.25	12.5	8.3	27.7	6.1	4.1
25	53.05	47.05	38.95	12.5	8.3	41.2	6.1	4.1
37	69.4	63.5	55.4	12.5	8.3	57.5	6.1	4.1
50	67	61	52.8	15.3	11.15	55	6.1	4.1

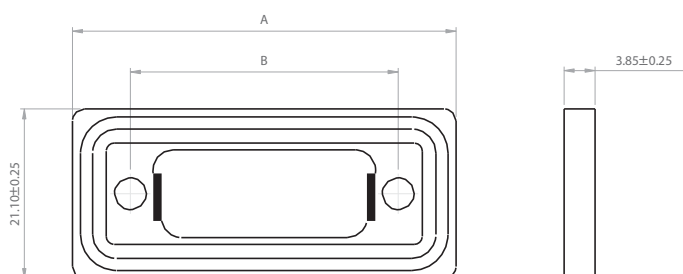
FEMALE SHELL *Note: This female shell is used for all the female connectors*



SHELL SIZE	A±0.20mm	B±0.15mm	C±0.20mm	D±0.20mm	E±0.20mm	F±0.20mm	G±0.20mm	H±0.15mm
9	30.8	25	16.3	12.5	7.9	19.25	5.8	4.1
15	39.2	33.3	24.6	12.5	7.9	27.7	5.8	4.1
25	53.05	47.05	38.4	12.5	7.9	41.2	5.8	4.1
37	69.4	63.5	54.8	12.5	7.9	57.5	5.8	4.1
50	67	61	52.2	15.3	10.9	55	6	4.1

Watertight Frame

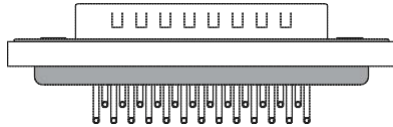
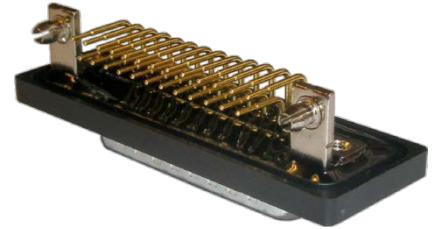
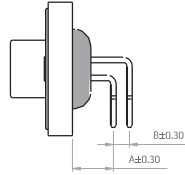
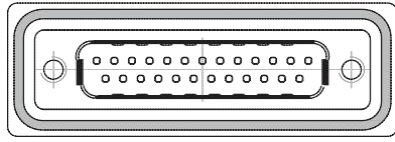
STANDARD FRAME



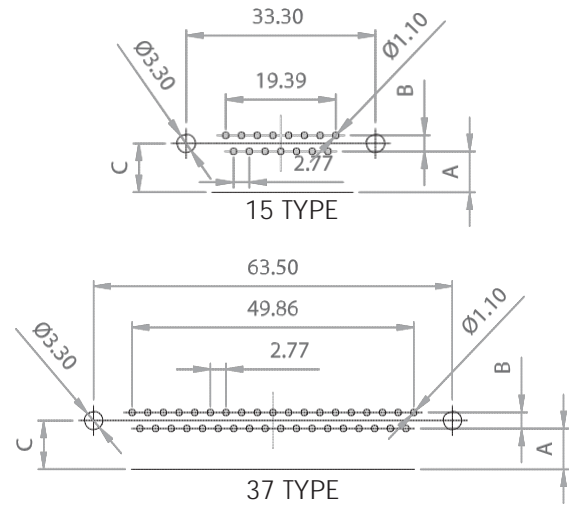
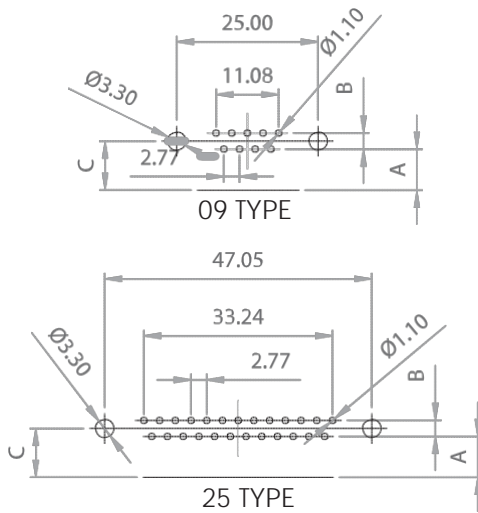
SHELL SIZE	A±0.25mm	B±0.25mm
9	39.2	24.8
15	47.7	33.3
25	61.2	46.8
37	77.5	63.1

Waterproof Standard Density

Standard Density 90° Connector



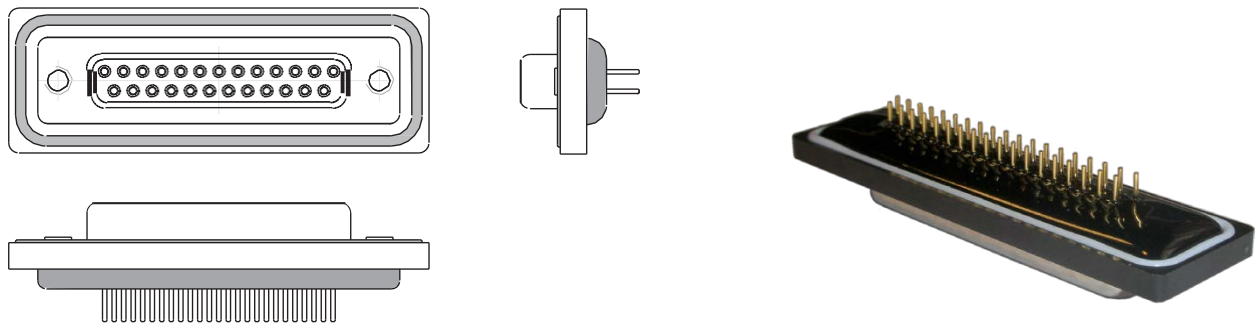
Standard Density 90° Connector PCB Layout



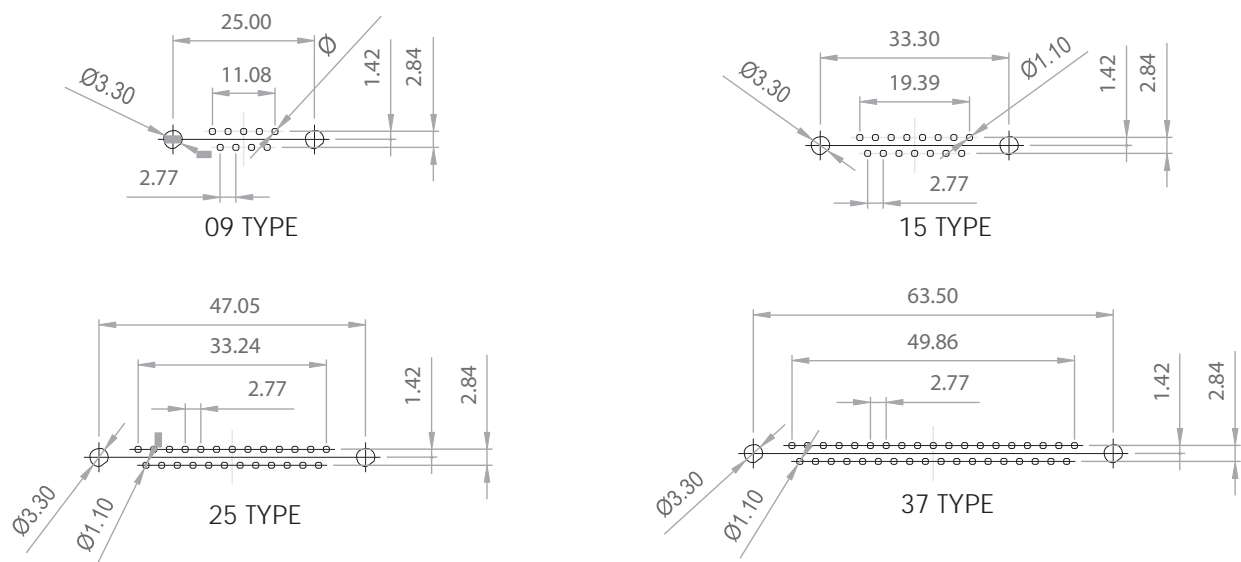
Dimension(mm)	Type 1	Type 2
A	4.25	6.45
B	2.84	2.54
C	8.12	

Waterproof Standard Density

Standard Density Straight Connector



Standard Density Connector PCB Layout



Waterproof Standard Density

Standard Density Solder Connector

