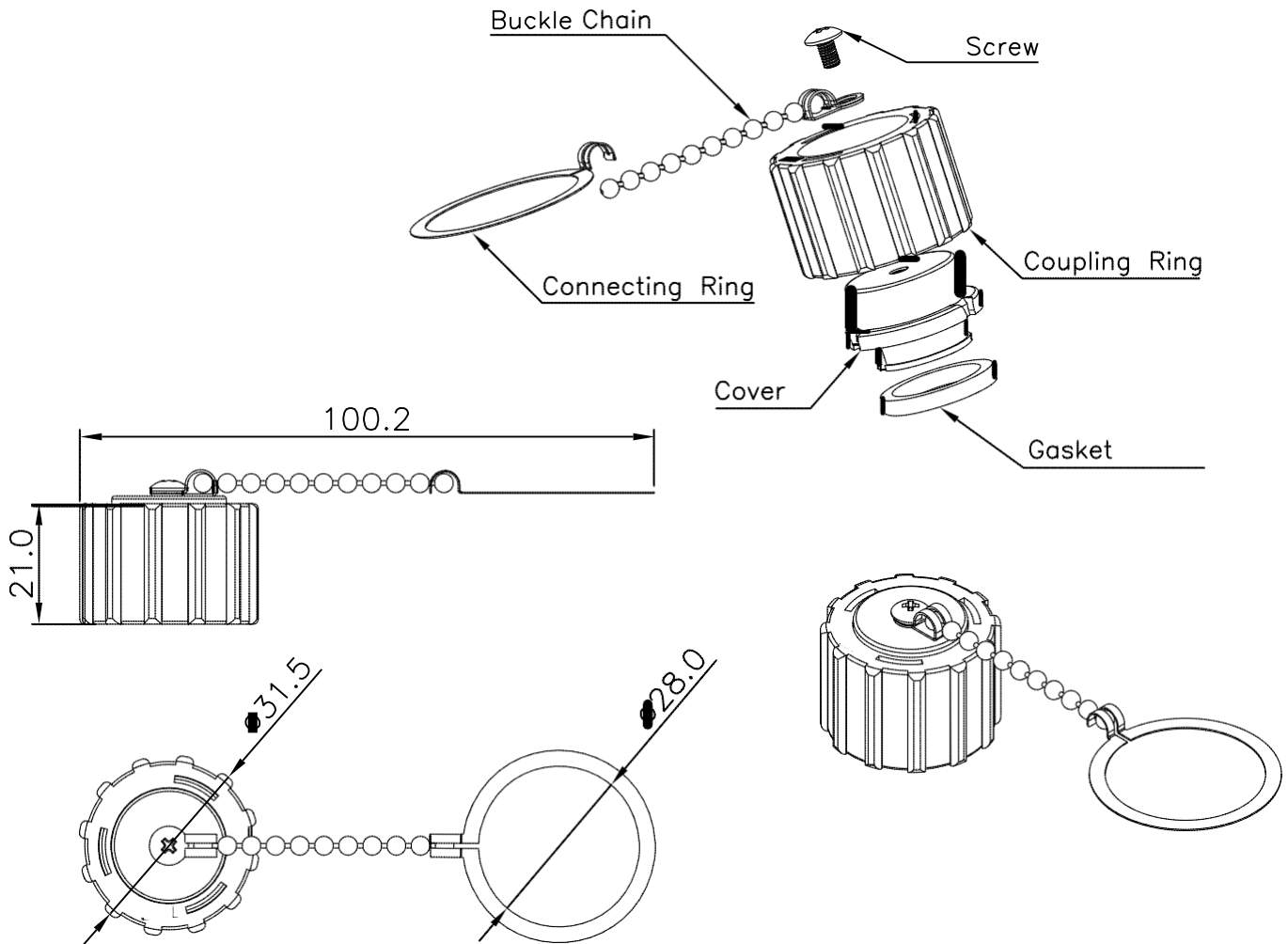


# Metal Waterproof Cap With Chain (IP68)



## Materials

NAME	SPECIFICATION	QTY
Connecting Ring	Stainless steel	1
Screw	Stainless steel	1
Buckle Chain	Stainless steel	1
Gasket	Silicon	1
Coupling Ring	Zn Alloy 3,Nickel Plated	1
Cover	Zn Alloy 3,Nickel Plated	1



**Ordering Information      3353A-02**