



**MATERIAL SPECIFICATIONS:**  
 Housing: PA, UL-94V-0 rated, color black  
 Contacts: CuZn, Silver plated

**MECHANICAL SPECIFICATIONS:**  
 Contacts: 8 (4 Signal + 3 Power + PE)  
 Durability: 1000 mating cycles min.  
 Cable Diameter: 6 - 13mm / 9 - 17mm

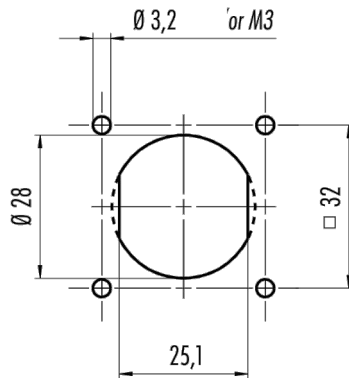
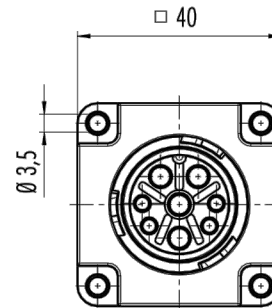
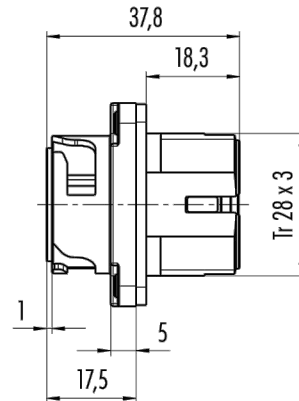
**ELECTRICAL SPECIFICATIONS:**  
 Rated current: 3A Signal max. / 25A Power max.  
 Rated voltage: 60V Signal / 400V Power  
 Contact resistance: 8mohms max.  
 Rated impulse voltage: 5000V

**IEC/UL 61010-1 SPECIFICATIONS:**  
 Material group: I, II  
 Overload category: III  
 Pollution degree: III

**APPROVALS:**  

**ENVIRONMENTAL SPECIFICATIONS:**  
 Degree of Protection: IP68 / IPX9K  
 Operating Temperature: -40°C ~ +85°C

RoHS  
COMPLIANT



PANEL CUTOUT

**NOTE:**  
 1. CONTACTS ORDERED SEPARATELY

**MALE POWER CRIMP CONTACTS:**

AWG	P/N
14	PD-HEC-MPC-14
16	PD-HEC-MPC-16

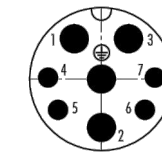
**MALE SIGNAL CRIMP CONTACTS:**

AWG	P/N
16	PD-HEC-MSC-16
18	PD-HEC-MSC-18
20	PD-HEC-MSC-20
26-22	PD-HEC-MSC-26

**CRIMP TOOL FOR CONTACTS:**  
 P/N: PD-HEC-CT

**SIGNAL CONTACT EXTRACTION TOOL:**  
 P/N: PD-HEC-SCET

**POWER CONTACT EXTRACTION TOOL:**  
 P/N: PD-HEC-PCET



**POWER CONTACTS:**  
 1, 2, 3

**SIGNAL CONTACTS:**  
 4, 5, 6, 7

CONTACT ARRANGEMENT  
(MATING SIDE)

TOLERANCE UNLESS OTHERWISE SPECIFIED	
X	± 1
X.X	± 0.4
X.XX	± 0.13

DRAWN BY: PB	DATE: 7/28/14
CHECK BY:	DATE:
APPR BY:	DATE:

**Power Dynamics, Inc.**  
 Phone: 973 560-0019 Whippany, New Jersey Fax: 973 560-0076

**PART: HARSH ENVIRONMENT CONNECTOR  
 MALE PANEL MOUNT**

**PD-HEC-MPC**

SIZE: A  
 SCALE: NTS

ALL DIMENSIONS FOR REFERENCE ONLY  
 DIMENSIONS ARE IN MILLIMETERS

SHEET 1 of 1  
 REV:

REVISIONS	CHANGE	CHK	CHK	APPR
REV	DATE			