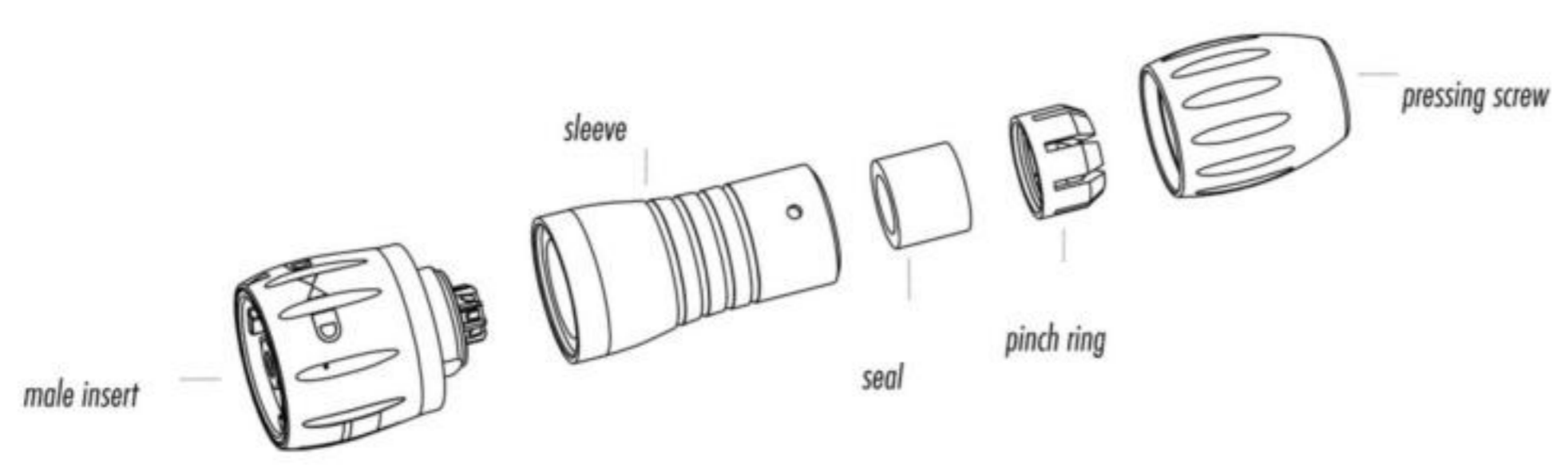
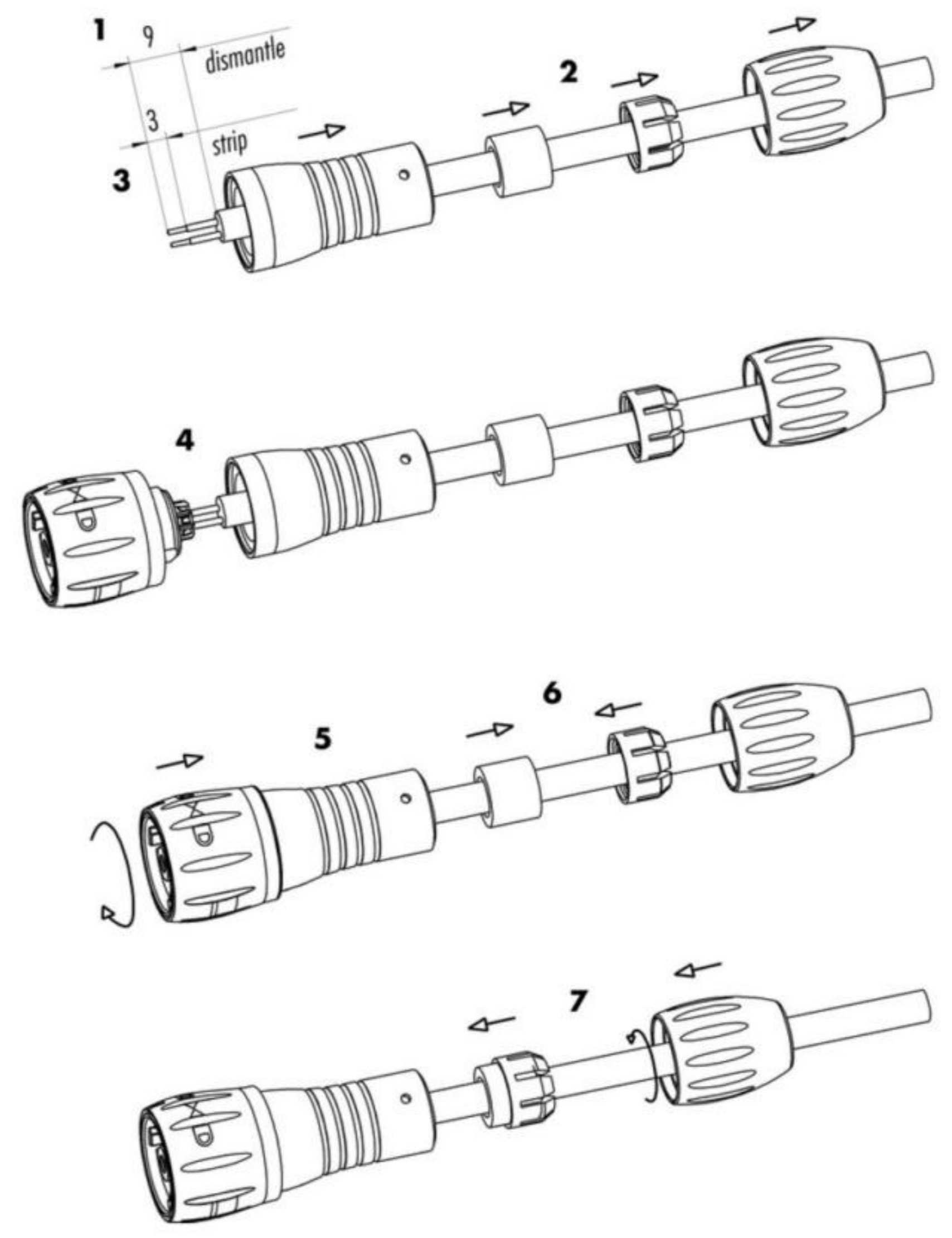


1. Remove cable jacket 9mm.
2. Slide pressing screw, pinch ring, seal and sleeve onto cable.
3. Strip conductors 3mm and tin.
4. Solder conductors to terminals.
5. Screw male insert onto sleeve.
6. Push pinch ring over seal.
7. Screw pressing screw onto sleeve.



REVISIONS	CHNG	CHK	APPR
	CHANGE		
	DATE		
REV			

TOLERANCE UNLESS OTHERWISE SPECIFIED	
X	± 1
X.X	± 0.4
X.XX	± 0.13
DRAWN BY	PB
DATE:	10/29/14
CHECK BY	
DATE:	
APPR BY	
DATE:	

<b>Power Dynamics, Inc.</b>	
Phone: 973 560-0019 Whippany, New Jersey Fax: 973 560-0076	
PART: HARSH ENVIRONMENT CONNECTOR SERIES 2 MALE CABLE CONNECTOR ASSEMBLY INSTRUCTIONS	
PART # PD-HEC2-MCC-X-AI	
SIZE: A	ALL DIMENSIONS FOR REFERENCE ONLY DIMENSIONS ARE IN MILLIMETERS
SCALE: NTS	REV:

D  
C  
B  
A