

**MATERIAL SPECIFICATIONS:**

Body & Housing: PA, UL-94V-HB / UL-94V-0 rated, color black

Contacts: Bronze, Gold plated

**MECHANICAL SPECIFICATIONS:**

Contacts: 8

Durability: >5000 mating cycles.

Cable Diameter: 2.5 - 8mm

Wire gauge: 24AWG max.

**ELECTRICAL SPECIFICATIONS:**

Rated current: 2A per contact

Rated voltage: 175V

Contact resistance: <15 mohms

Rated impulse voltage: 1750V

**IEC/UL 61010-1 SPECIFICATIONS:**

Material group: I, II

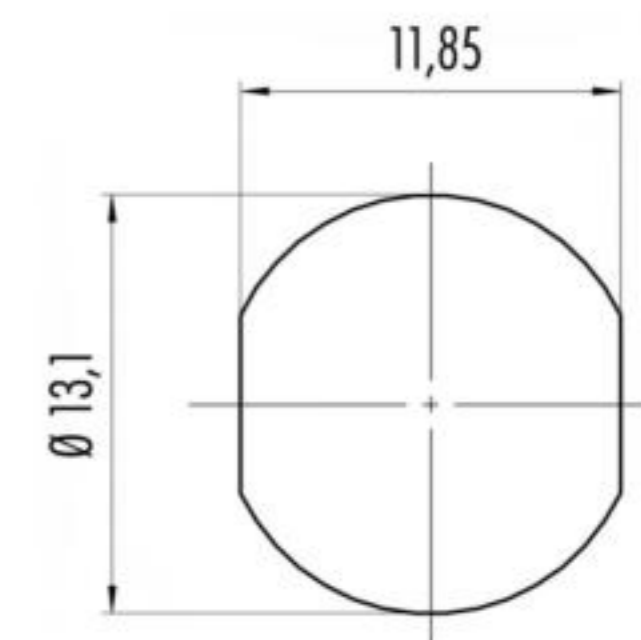
Overload category: II

Pollution degree: 2

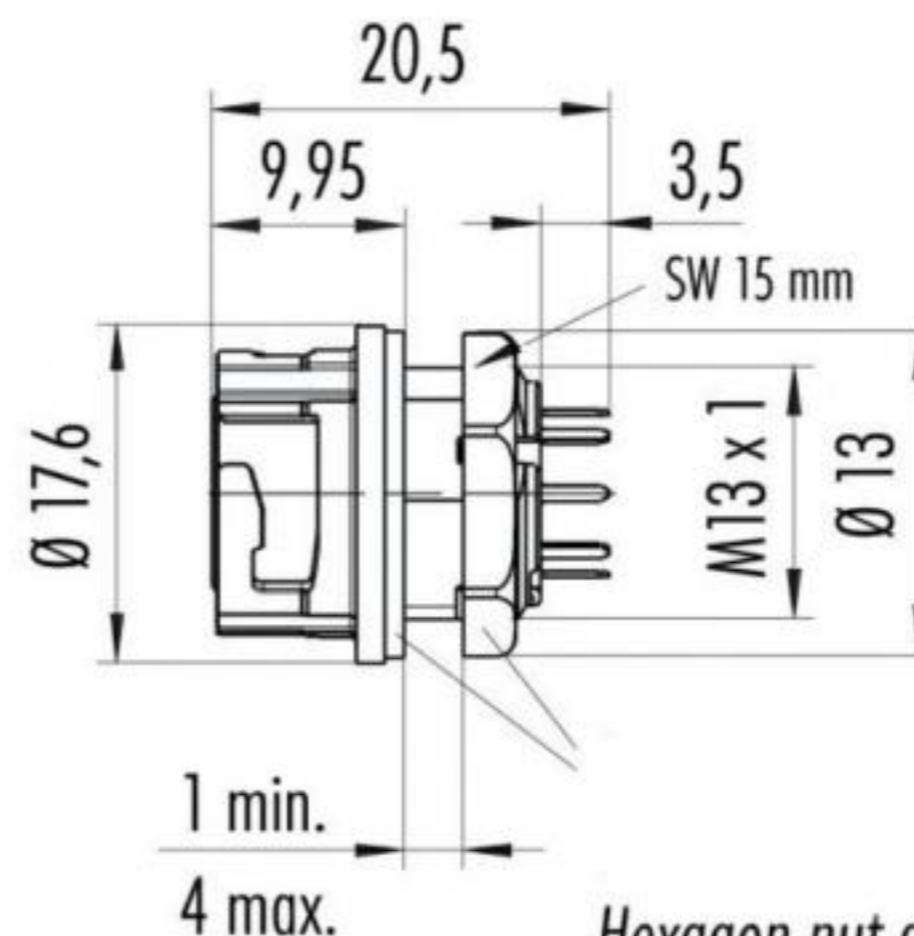
**ENVIRONMENTAL SPECIFICATIONS:**

Degree of Protection: IP67 unmated and mated

Operating Temperature: -25°C ~ +85°C

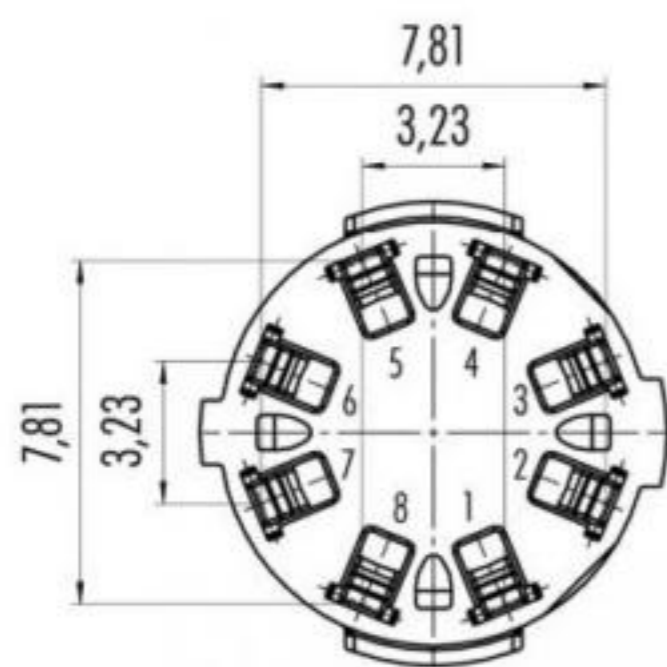


PANEL CUTOUT



Hexagon nut and flat seal enclosed loose

RoHS COMPLIANT



	X	Y
1	1,62	-3,90
2	3,90	-1,62
3	3,90	1,62
4	1,62	3,90
5	-1,62	3,90
6	-3,90	1,62
7	-3,90	-1,62
8	-1,62	-3,90

TOLERANCE UNLESS OTHERWISE SPECIFIED	
X	± 1
X.X	± 0.4
X.XX	± 0.13
DRAWN BY	PB
DATE	10/27/14
CHECK BY	
DATE	
APPR BY	
DATE	

**Power Dynamics, Inc.**

Phone: 973 560-0019 Whippany, New Jersey Fax: 973 560-0076

PART: HARSH ENVIRONMENT CONNECTOR  
SERIES 2 FEMALE PANEL MOUNT; PCB PINS

PART #	PD-HEC2-FPC-P	SHEET	1 of 1
SIZE:	A	ALL DIMENSIONS FOR REFERENCE ONLY DIMENSIONS ARE IN MILLIMETERS	REV:
SCALE:	NTS		

REVISIONS	CHNG	CHK	APPR
DATE	CHANGE		
REV			