

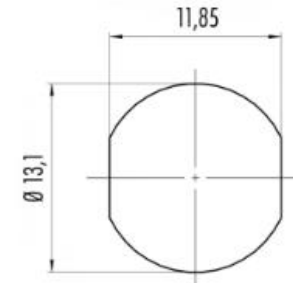
**MATERIAL SPECIFICATIONS:**  
 Body & Housing: PA, UL-94V-HB / UL-94V-0 rated, color white  
 Contacts: Bronze, Gold plated

**MECHANICAL SPECIFICATIONS:**  
 Contacts: 8  
 Durability: >5000 mating cycles.  
 Cable Diameter: 2.5 - 8mm  
 Wire gauge: 24AWG max.

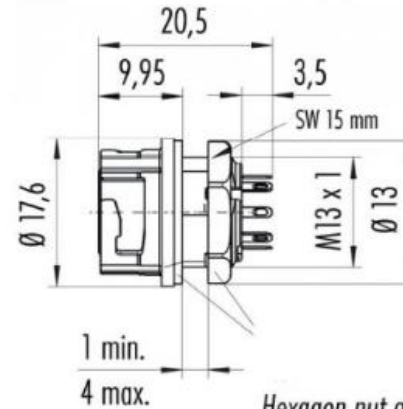
**ELECTRICAL SPECIFICATIONS:**  
 Rated current: 2A per contact  
 Rated voltage: 175V  
 Contact resistance: ≤15 mohms  
 Rated impulse voltage: 1750V

**IEC/UL 61010-1 SPECIFICATIONS:**  
 Material group: I, II  
 Overload category: II  
 Pollution degree: 2

**ENVIRONMENTAL SPECIFICATIONS:**  
 Degree of Protection: IP67 unmated and mated  
 Operating Temperature: -25°C ~ +85°C

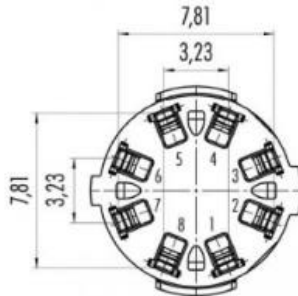


PANEL CUTOUT



*Hexagon nut and flat seal enclosed loose*

RoHS  
COMPLIANT



|   | X     | Y     |
|---|-------|-------|
| 1 | 1,62  | -3,90 |
| 2 | 3,90  | -1,62 |
| 3 | 3,90  | 1,62  |
| 4 | 1,62  | 3,90  |
| 5 | -1,62 | 3,90  |
| 6 | -3,90 | 1,62  |
| 7 | -3,90 | -1,62 |
| 8 | -1,62 | -3,90 |

| TOLERANCE<br>UNLESS OTHERWISE SPECIFIED |        |
|---|--------|
| X                                       | ± 1    |
| X.X                                     | ± 0.4  |
| X.XX                                    | ± 0.13 |

**Power Dynamics, Inc.**

Phone: 973 560-0019 Whippany, New Jersey Fax: 973 560-0076

PART: HARSH ENVIRONMENT CONNECTOR; SERIES 2  
 FEMALE PANEL MOUNT; SOLDER PINS; WHITE

|              |               |
|--------------|---------------|
| DRAWN BY: PB | DATE: 7/20/16 |
| CHECK BY:    | DATE:         |
| APPR BY:     | DATE:         |

|        |                 |                                   |        |
|--------|-----------------|-----------------------------------|--------|
| PART # | PD-HEC2-FPC-S-W | SHEET                             | 1 of 1 |
| SIZE:  | A               | ALL DIMENSIONS FOR REFERENCE ONLY | REV:   |
| SCALE: | NTS             | DIMENSIONS ARE IN MILLIMETERS     |        |

|           |        |     |      |
|-----------|--------|-----|------|
| REVISIONS | CHNG   | CHK | APPR |
|           | CHANGE |     |      |
| REV       | DATE   |     |      |