

MATERIAL SPECIFICATIONS:

Body & Housing: PA, UL-94V-HB / UL-94V-0 rated, color black
 Contacts: Brass, Gold plated

MECHANICAL SPECIFICATIONS:

Contacts: 8
 Durability: >5000 mating cycles.
 Cable Diameter: 2.5 - 8mm
 Wire gauge: 24AWG max.

ELECTRICAL SPECIFICATIONS:

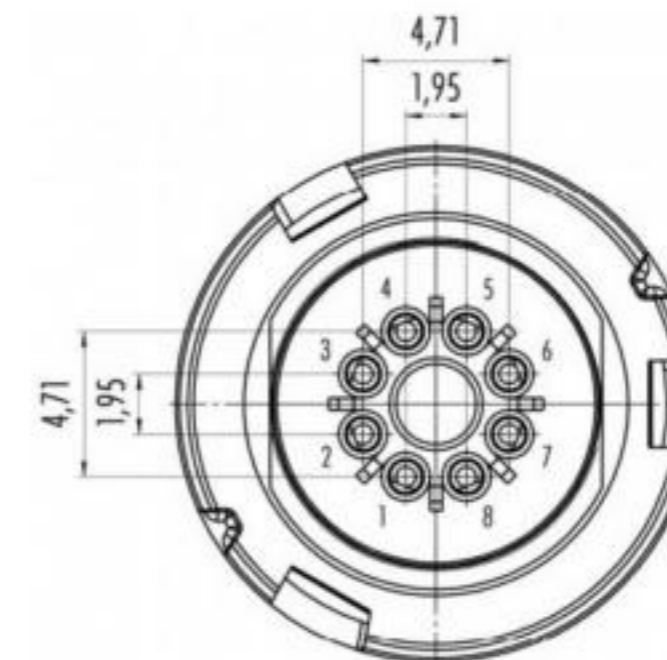
Rated current: 2A per contact
 Rated voltage: 175V
 Contact resistance: <15 mohms
 Rated impulse voltage: 1750V

IEC/UL 61010-1 SPECIFICATIONS:

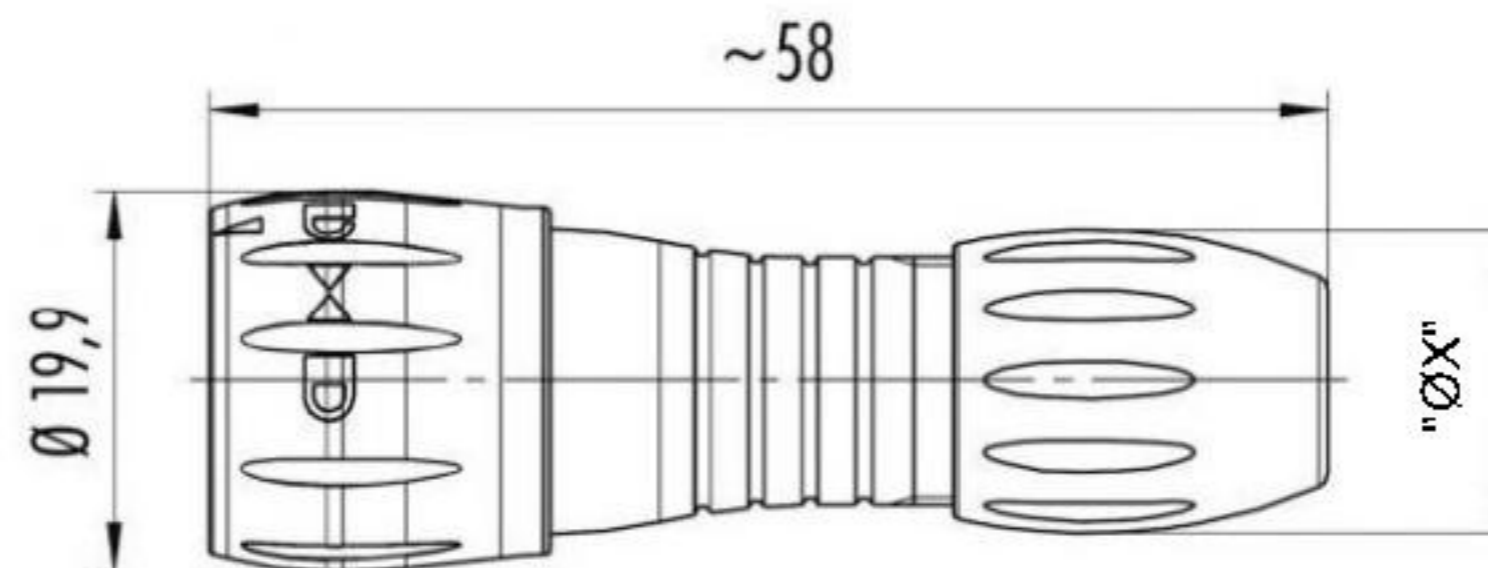
Material group: I, II
 Overload category: II
 Pollution degree: 2

ENVIRONMENTAL SPECIFICATIONS:

Degree of Protection: IP67 when mated
 Operating Temperature: -25°C ~ +85°C



	X	Y
1	-0,98	-2,36
2	-2,36	-0,98
3	-2,36	0,98
4	-0,98	2,36
5	0,98	2,36
6	2,36	0,98
7	2,36	-0,98
8	0,98	-2,36



RoHS
COMPLIANT

REVISIONS	CHNG	CHK	APPR
	CHANGE		
	DATE		
REV			

P/N	CABLE DIAMETER	Ø X
PD-HEC2-MCC-4	2.5 ~ 4mm	16mm
PD-HEC2-MCC-6	4 ~ 6mm	16mm
PD-HEC2-MCC-8	6 ~ 8mm	19mm

TOLERANCE UNLESS OTHERWISE SPECIFIED	
X	± 1
X.X	± 0.4
X.XX	± 0.13
DRAWN BY	PB
DATE:	10/27/14
CHECK BY	
DATE:	
APPR BY	
DATE:	

Power Dynamics, Inc.
 Phone: 973 660-0019 Whippany, New Jersey Fax: 973 660-0076

PART: HARSH ENVIRONMENT CONNECTOR
 SERIES 2 MALE CABLE CONNECTOR

PD-HEC2-MCC-X

PART #

SIZE: A

SCALE: NTS

ALL DIMENSIONS FOR REFERENCE ONLY
 DIMENSIONS ARE IN MILLIMETERS

SHEET 1 of 1

REV: