

MATERIAL SPECIFICATIONS:

Body & Housing: PA, UL-94V-0 rated, color black
 Contacts: Brass, Gold plated

MECHANICAL SPECIFICATIONS:

Wire gauge: 0.25mm² / 24AWG
 Durability: 500 mating cycles min.

ELECTRICAL SPECIFICATIONS:

Rated current / voltage:
 3 contact = 3A / 125V per contact
 4 contact = 2.5A / 125V per contact
 5 contact = 2A / 63V per contact
 8 contact = 1A / 63V per contact

Contact resistance: 3 mohms max.

Rated impulse voltage:

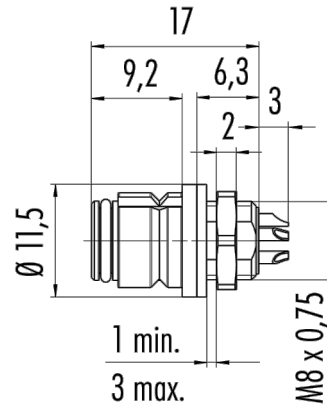
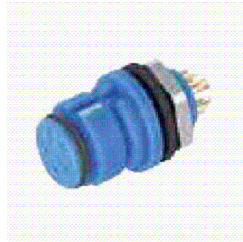
3A & 2.5A = 1500V
 2A & 1A = 800V

IEC/UL 61010-1 SPECIFICATIONS:

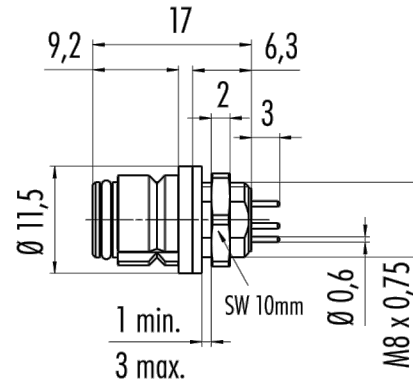
Material group: I, II
 Overload category: II
 Pollution degree: 2

ENVIRONMENTAL SPECIFICATIONS:

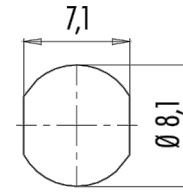
Degree of Protection: IP67
 Operating Temperature: -25°C ~ +85°C



SOLDER TERMINALS



PCB PINS



PANEL CUTOUT

ORDERING CODE:

PD-HEC3-FPC-_-_-_-
 X1 X2 X3

X1) Terminals:

Solder = S
 PCB Pin = P

X2) No. of Contacts:

3, 4, 5 or 8

X3) Housing Color:

Black = B
 Blue = BL
 Red = R
 Green = G

NOTES:

Rear Mount Adapter p/n PD-HEC3-RMA
 Front Mount Adapter p/n PD-HEC3-FMA

TOLERANCE
 UNLESS OTHERWISE SPECIFIED
 X ± 1
 X.X ± 0.4
 X.XX ± 0.13

Power Dynamics, Inc.

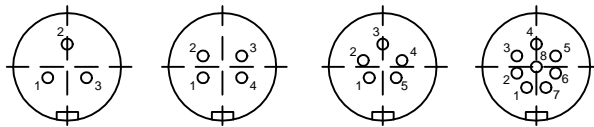
Phone: 973 560-0019 Whippany, New Jersey Fax: 973 560-0076

PART: IP67 DUSTPROOF / WATERPROOF
 FEMALE SNAP LOCK PANEL CONNECTOR

DRAWN BY	PB	DATE:	7/30/15
CHECK BY		DATE:	
APPR BY		DATE:	

PART #:		PD-HE3-FPC-X-X-X	SHEET
SIZE:		A	1 of 1
SCALE:		NTS	REV:

ALL DIMENSIONS FOR REFERENCE ONLY
 DIMENSIONS ARE IN MILLIMETERS



CONTACT ARRANGEMENT

REVISIONS	CHNG	CHECK	APPR
	CHANGE		
	REV	DATE	