

**MATERIALS:**

Shell: Brass, Chrome plated  
 Insert: PPS, UL-94V-0 rated  
 Contacts: Brass, Gold plated

**MECHANICAL SPECIFICATIONS:**

Coupling type: Push - Pull  
 Contact termination: Solder  
 Mating cycles: >500

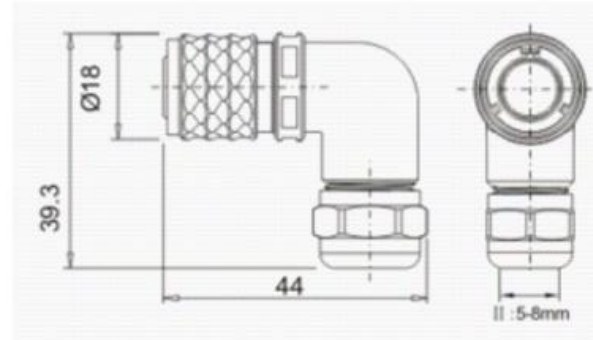
**ENVIRONMENTAL SPECIFICATIONS:**

IP rating: IP67  
 Temperature range: -40°C ~ +85°C



**ORDERING CODE:**  
 PD-SF1214-SX

└── Number of contacts (from chart)



Number of contact	2	3	4	5	6	7	9
Male contact face view							
Rated current (A)	13A	13A	5A	5A	5A	5A	3A
Contact diameter	∅ 1.6X2	∅ 1.6X3	∅ 1X4	∅ 1X5	∅ 1X6	∅ 1X7	∅ 0.7X9
Rated voltage (AC.V)	250V	250V	200V	180V	125V	125V	125V
Test voltage(AC.V) 1 min	1500V	1500V	1500V	1000V	1000V	1000V	1000V
Contact resistance mΩ	2	2	5	5	5	5	10
Wire size mm <sup>2</sup> /AWG	≤2/14	≤2/14	≤0.785/18	≤0.785/18	≤0.785/18	≤0.785/18	≤0.785/18

**TOLERANCE**  
 UNLESS OTHERWISE SPECIFIED  
 X ± 1  
 X.X ± 0.4  
 X.XX ± 0.13

**Power Dynamics, Inc.**  
 Phone: 973 560-0019 Whippany, New Jersey Fax: 973 560-0076

**PART:** METAL IP67 WATERPROOF FEMALE ANGLED CABLE CONNECTOR  
 PUSH - PULL TYPE; 2 - 9 CONTACTS; SOLDER TERMINATION

DRAWN BY	PB	DATE:	1/8/18
CHECK BY		DATE:	
APPR BY		DATE:	

PART #:		<b>PD-SF1214-SX</b>	SHEET
SIZE:	A	ALL DIMENSIONS FOR REFERENCE ONLY	1 of 1
SCALE:	NTS	DIMENSIONS ARE IN MILLIMETERS	REV:

REVISIONS	CHNG	CHK	APPR
	CHANGE		
REV	DATE		