

6

5

4

3

2

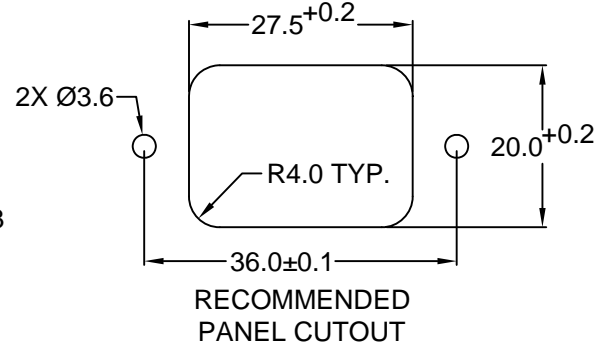
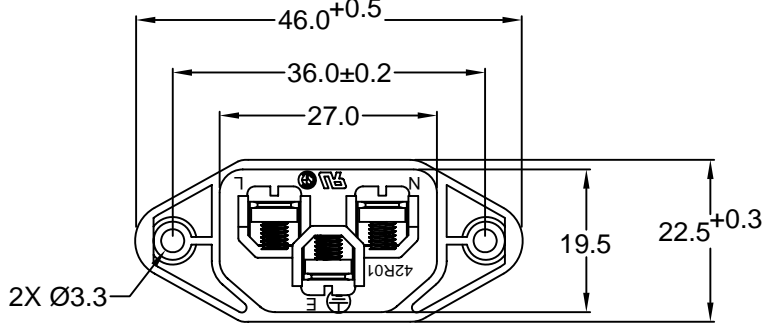
1

**MATERIAL AND FINISH:**

Insulator: Polycarbonate, UL-94V-0 rated  
Contacts: Brass, Nickel plated

**ELECTRICAL SPECIFICATIONS:**

Current rating: 10 A  
Voltage rating: 250 VAC  
Current rating: 15 A  
Voltage rating: 250 VAC



**ORDERING CODE:**

42R01-1    2     
          1    3

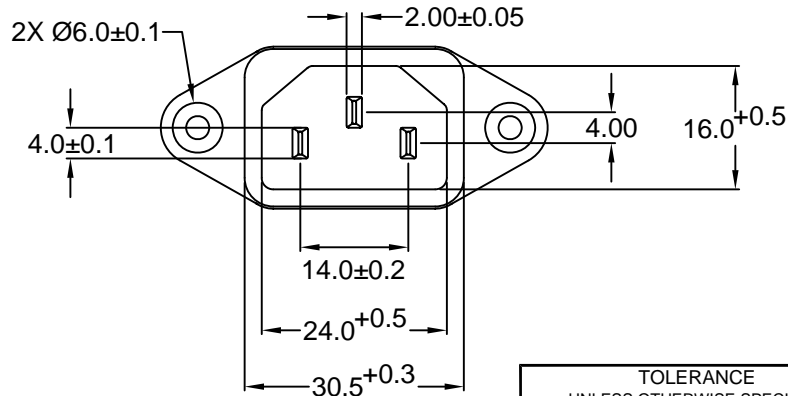
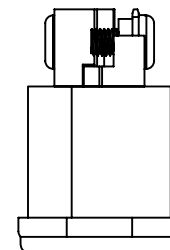
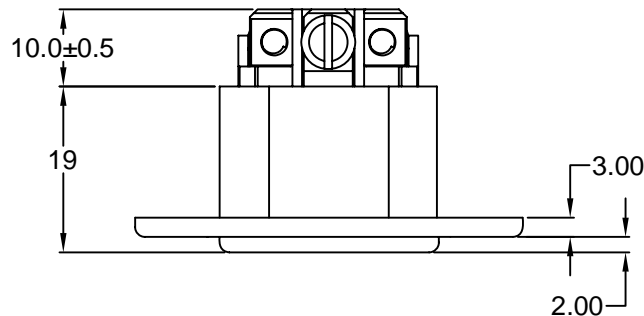
**1 = COLOR**

- 1 = BLACK
- 2 = GRAY

**2 = M3x6.0mm SCREW TERMINALS**

**3 = ELECTRICAL CIRCUIT CONFIGURATION**

- 1 = 15A 250V 120°C 2+GROUND
- 2 = 15A 250V 70°C 2+GROUND
- 4 = 15A 250V 70°C 2 POLE



**RoHS COMPLIANT**

REVISIONS

REV	DATE	CHANGE	CHNG	CHK	APPR

TOLERANCE UNLESS OTHERWISE SPECIFIED			
X	± 1		
X.X	± 0.4		
X.XX	± 0.20		
DRAWN BY	GQ	DATE:	8/7/01
CHECK BY	TD	DATE:	08/14/01
APPR BY	PB	DATE:	08/14/01

**Power Dynamics, Inc.**  
Phone: 973 560-0019 Whippany, New Jersey Fax: 973 560-0076

PART: IEC 60320 C14 APPL. INLET; SCREW TERMINALS; SIDE FLANGE, PANEL MOUNT

**42R01-1X2X**

SIZE: A SCALE: NTS

ALL DIMENSIONS FOR REFERENCE ONLY DIMENSIONS ARE IN MILLIMETERS

SHEET 1 of 1

6

5

4

3

2

1