

6

5

4

3




2

1

**MATERIAL AND FINISH:**

Insulator: Polycarbonate, UL-94V-0 rated  
Contacts: Brass, Nickel plated

**ELECTRICAL SPECIFICATIONS:**

Current rating: 10 A   
Voltage rating: 250 VAC  
Current rating: 15 A   
Voltage rating: 250 VAC 

**ORDERING CODE:**

42R01-6    2     
          1    3

1 = COLOR


1 = BLACK  
2 = GRAY

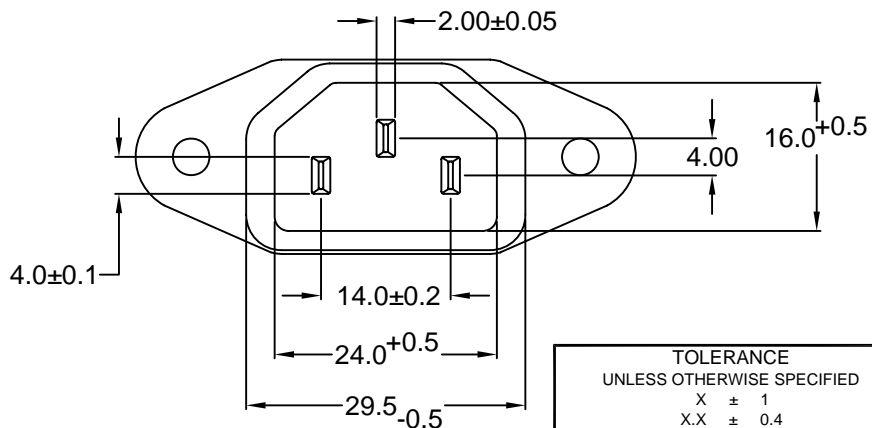
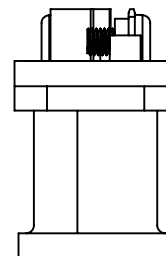
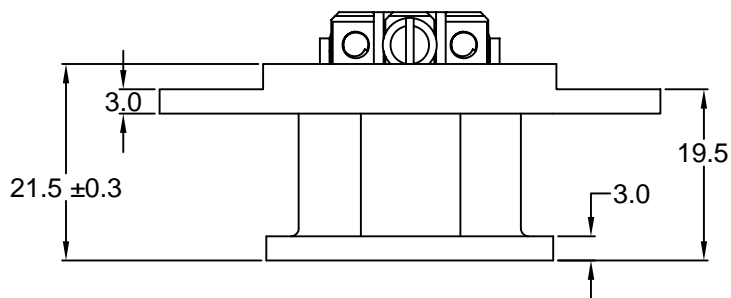
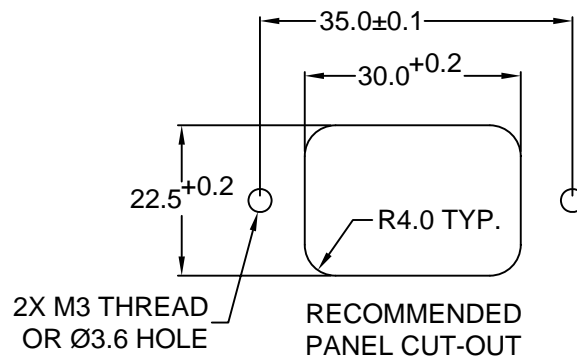
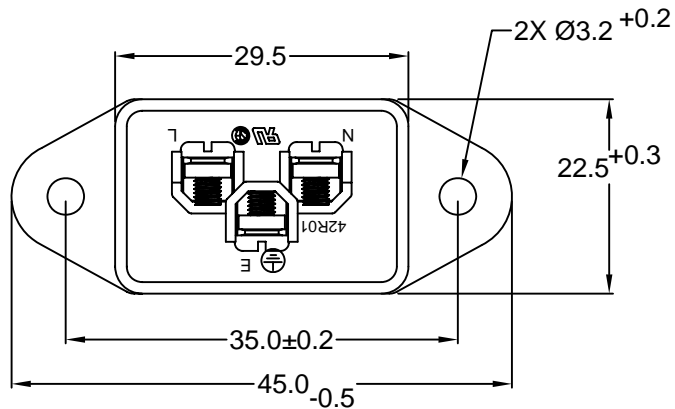
2 = M3x6.0mm  
SCREW TERMINALS

3 = ELECTRICAL CIRCUIT  
CONFIGURATION

1 = 15A 250V 120°C   
2+GROUND

2 = 15A 250V 70°C   
2+GROUND

4 = 15A 250V 70°C   
2 POLE



RoHS  
COMPLIANT

TOLERANCE UNLESS OTHERWISE SPECIFIED	
X	± 1
X.X	± 0.4
X.XX	± 0.20

**Power Dynamics, Inc.**

Phone: 973 560-0019 Whippany, New Jersey Fax: 973 560-0076

PART: IEC 60320 C14 APPL. INLET; SCREW  
TERMINALS; BOTTOM FLANGE

DRAWN BY	GQ	DATE:	08/09/01
CHECK BY	TD	DATE:	08/14/01
APPR BY	PB	DATE:	08/14/01

42R01-6X2X SHEET 1 of 1

SIZE: A ALL DIMENSIONS FOR REFERENCE ONLY  
SCALE: NTS DIMENSIONS ARE IN MILLIMETERS REV:

D

C

B

A

REVISIONS	CHANGE	CHK	CHK	APPR
REV	DATE			