

6

5

4

3




2

1

MATERIAL AND FINISH:

Insulator: Polycarbonate, UL-94V-0 rated
Contacts: Brass, Nickel plated

ELECTRICAL SPECIFICATIONS:

Current rating: 10 A 
Voltage rating: 250 VAC
Current rating: 15 A 
Voltage rating: 250 VAC 

ORDERING CODE:

42R02-5
 1 2 3




1 = TERMINAL OPTIONS

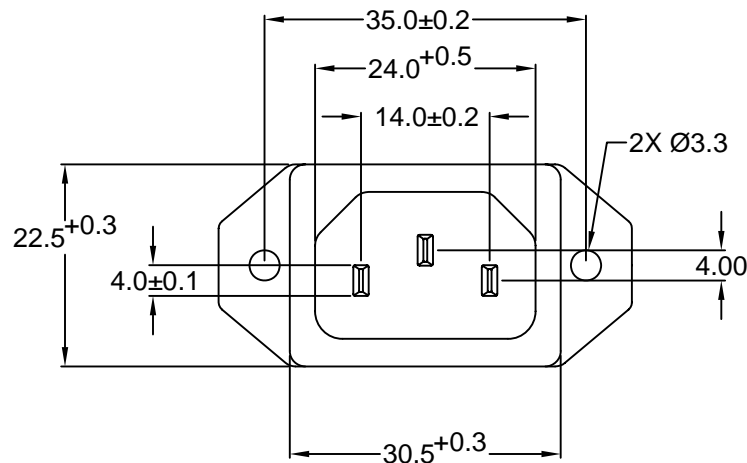
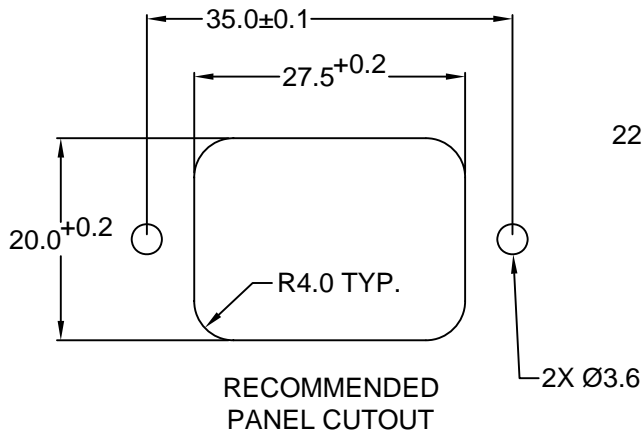
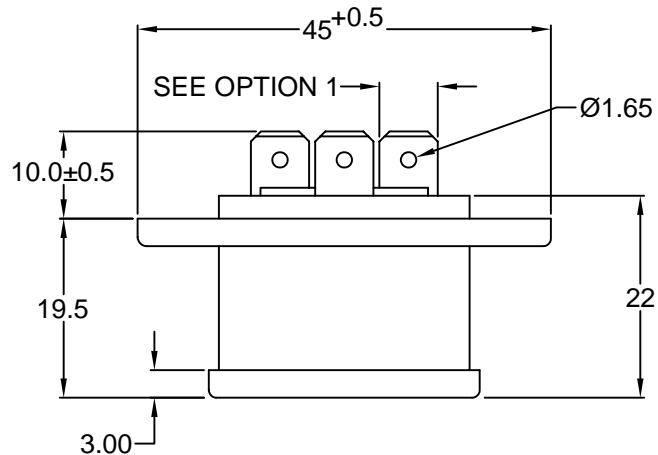
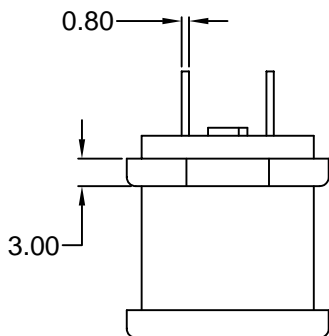
- 1 = .187(4.8)
- 2 = .250(6.3)

2 = COLOR

- 1 = BLACK
- 2 = GRAY

3 = ELECTRICAL CIRCUIT CONFIGURATION

- 1 = 15A 250V 120°C 2+GROUND 
- 2 = 15A 250V 70°C 2+GROUND 
- 4 = 15A 250V 70°C 2 POLE 



**RoHS
COMPLIANT**

| | | | | |
|-----------|--------|------|-----|------|
| REVISIONS | CHANGE | CHKG | CHK | APPR |
| REV | DATE | | | |

| | | |
|-----------------------------------------|----|---------------|
| TOLERANCE UNLESS OTHERWISE SPECIFIED | | |
| X | ± | 1 |
| X.X | ± | 0.4 |
| X.XX | ± | 0.20 |
| DRAWN BY | GQ | DATE: 8/9/01 |
| CHECK BY | TD | DATE: 8/13/01 |
| APPR BY | PB | DATE: 8/13/01 |

| | | |
|-------------------------------------------------------------------------|-----------------------------------|--------------|
| Power Dynamics, Inc. | | |
| Phone: 973 560-0019 Whippany, New Jersey Fax: 973 560-0076 | | |
| PART: IEC 60320 C14 APPL. INLET; QUICK CONNECT TERMINALS; BOTTOM FLANGE | | |
| PART #: 42R02-5XXX | | SHEET 1 of 1 |
| SIZE: A | ALL DIMENSIONS FOR REFERENCE ONLY | |
| SCALE: NTS | DIMENSIONS ARE IN MILLIMETERS | |
| REV: | | |