

6

5

4

3

2

1

MATERIAL AND FINISH:

Insulator: Polycarbonate, UL-94V-0 rated
Contacts: Brass, Nickel plated

ELECTRICAL SPECIFICATIONS:

Current rating: 10 A
Voltage rating: 250 VAC
Current rating: 15 A
Voltage rating: 250 VAC



ORDERING CODE:

42R03-4 5
 1 2

1) COLOR

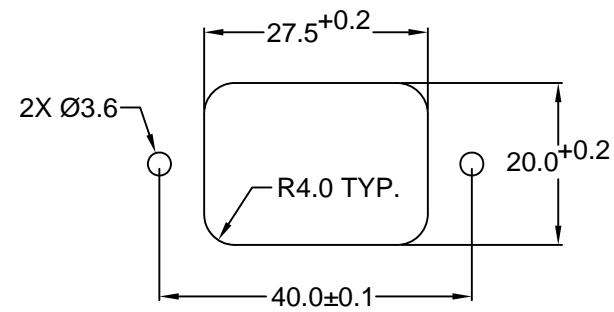
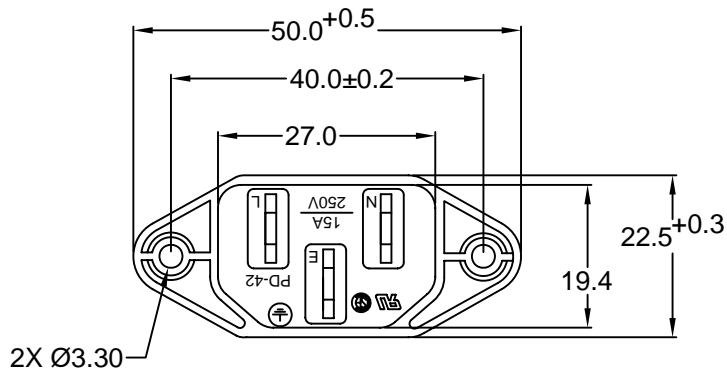
1 = BLACK
2 = GRAY

2) ELECTRICAL CIRCUIT CONFIGURATION

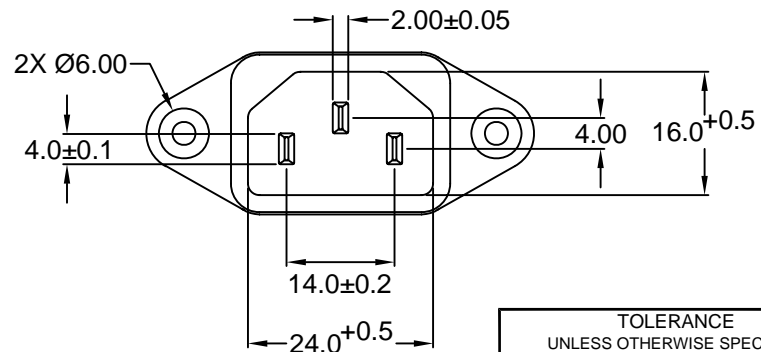
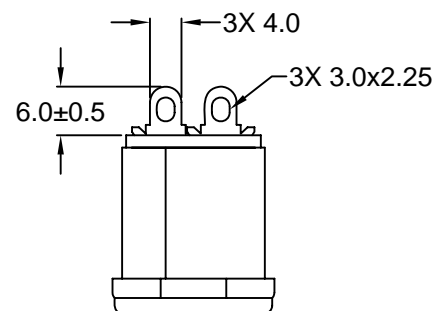
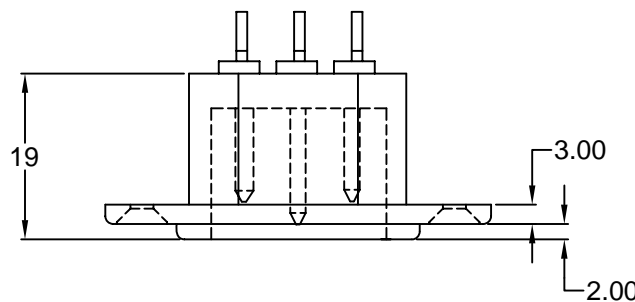
2 = 15A 250V 70°C
2+GROUND



4 = 15A 250V 70°C
2 POLE



RECOMMENDED PANEL CUT-OUT



RoHS COMPLIANT

TOLERANCE UNLESS OTHERWISE SPECIFIED	
X	± 1
X.X	± 0.4
X.XX	± 0.20

Power Dynamics, Inc.
Phone: 973 560-0019 Whippany, New Jersey Fax: 973 560-0076

PART: IEC 60320 C14 APPL. INLET; SOLDER TERMINALS; SIDE FLANGE

DRAWN BY	GQ	DATE:	08/16/01
CHECK BY	TD	DATE:	09/20/01
APPR BY	PB	DATE:	09/20/01

PART #: 42R03-4X5X		SHEET 1 of 1
SIZE: A	ALL DIMENSIONS FOR REFERENCE ONLY DIMENSIONS ARE IN MILLIMETERS	REV:
SCALE: NTS		

D

C

B

A

REVISIONS	
CHNG	CHECK APPR
CHANGE	
DATE	
REV	