

6

5

4

3

2

1

**MATERIAL AND FINISH:**

Insulator: Polycarbonate, UL-94V-0 rated  
Contacts: Brass, Nickel plated

**ELECTRICAL SPECIFICATIONS:**

Current rating: 10 A  
Voltage rating: 250 VAC  
Current rating: 15 A  
Voltage rating: 250 VAC



**ORDERING CODE:**

42R03-6    2     
          1   2

**1) COLOR**

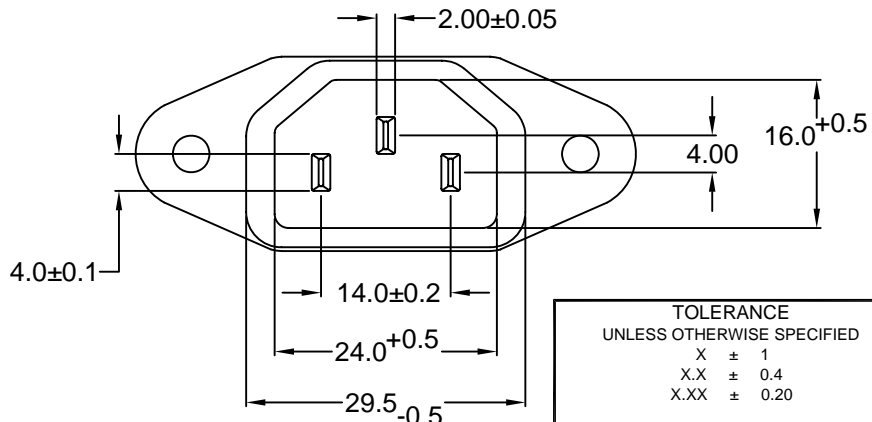
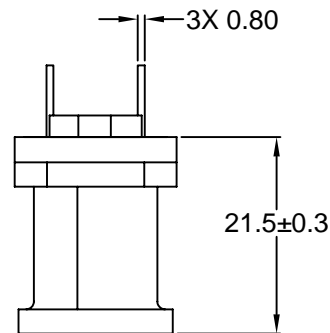
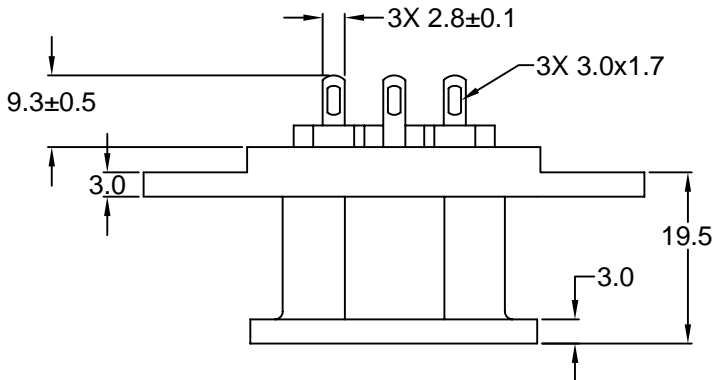
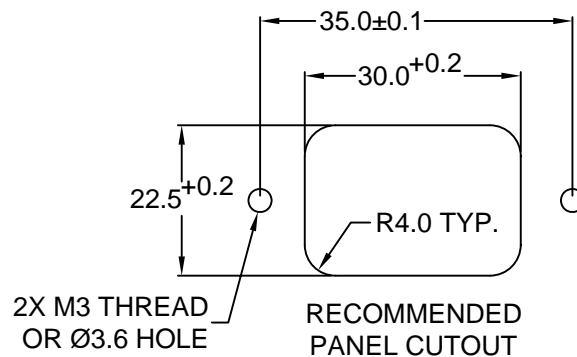
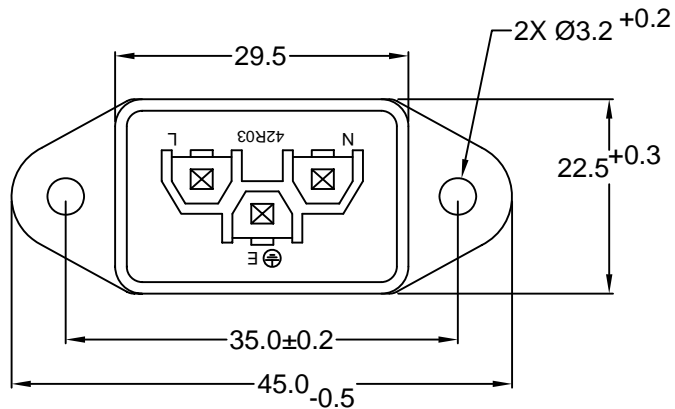
1 = BLACK  
2 = GRAY

**2) ELECTRICAL CIRCUIT CONFIGURATION**

1 = 15A 250V 120°C  
2+GROUND

2 = 15A 250V 70°C  
2+GROUND

4 = 15A 250V 70°C  
2 POLE



**RoHS  
COMPLIANT**

TOLERANCE  
UNLESS OTHERWISE SPECIFIED  
X ± 1  
X.X ± 0.4  
X.XX ± 0.20

**Power Dynamics, Inc.**

Phone: 973 560-0019 Whippany, New Jersey Fax: 973 560-0076

PART: IEC 60320 C14 APPL. INLET; SOLDER  
TERMINALS; BOTTOM FLANGE

DRAWN BY GQ DATE: 08/17/01  
CHECK BY TD DATE: 08/20/01  
APPR BY PB DATE: 08/21/01

42R03-6X2X SHEET 1 of 1

SCALE: NTS ALL DIMENSIONS FOR REFERENCE ONLY  
DIMENSIONS ARE IN MILLIMETERS REV: A

REV	DATE	1/8/10	CHNG	CHECK	APPR
	A			PB	
REVISIONS		CHANGE	TERM. DIM.		

6

5

4

3

2

1