

6

5

4

3

2

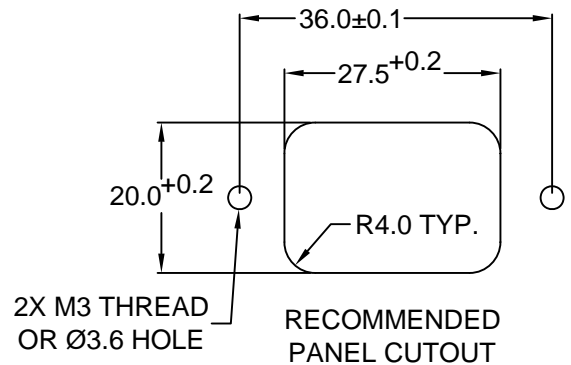
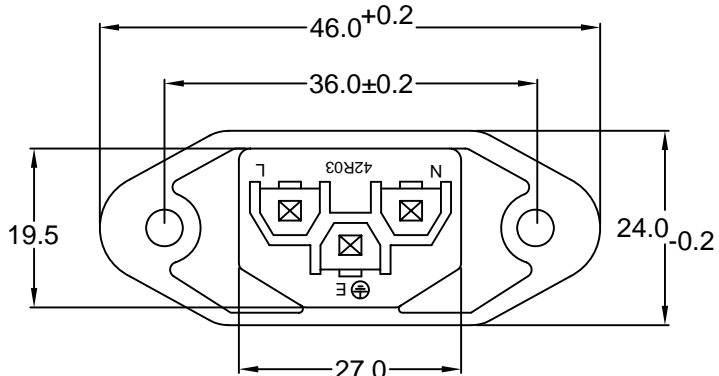
1

MATERIAL AND FINISH:

Insulator: Polycarbonate, UL-94V-0 rated
Contacts: Brass, Nickel plated

ELECTRICAL SPECIFICATIONS:

Current rating: 10 A
Voltage rating: 250 VAC
Current rating: 15 A
Voltage rating: 250 VAC



ORDERING CODE:

42R03-7 2
 1 2

1) COLOR

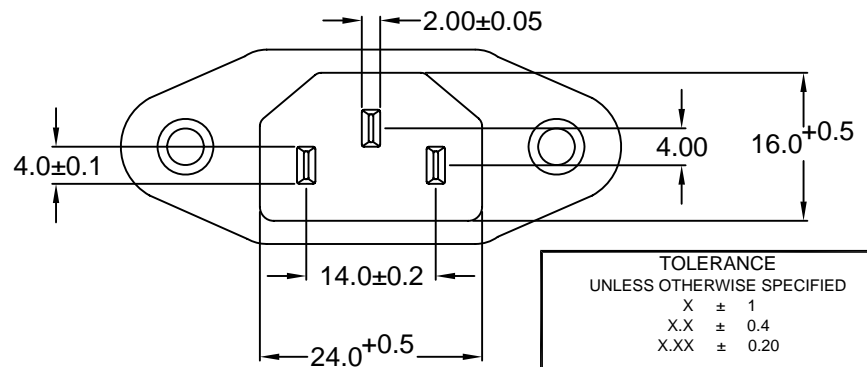
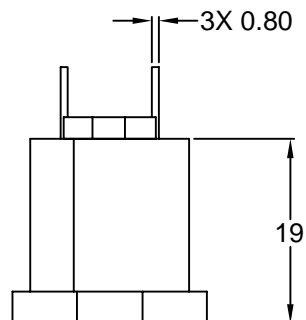
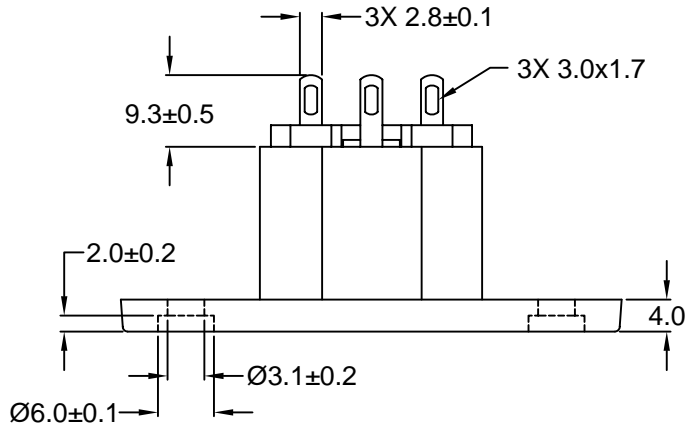
1 = BLACK
2 = GRAY

2) ELECTRICAL CIRCUIT CONFIGURATION

1 = 15A 250V 120°C
2+GROUND

2 = 15A 250V 70°C
2+GROUND

4 = 15A 250V 70°C
2 POLE



**RoHS
COMPLIANT**

REVISIONS	CHNG	CHECK	APPR
	DATE	1/8/10	
	REV	A	
	CHANGE	TERM. DIM.	PB

TOLERANCE UNLESS OTHERWISE SPECIFIED			
X	± 1		
X.X	± 0.4		
X.XX	± 0.20		
DRAWN BY	GQ	DATE:	08/17/01
CHECK BY	TD	DATE:	08/20/01
APPR BY	PB	DATE:	08/21/01

Power Dynamics, Inc.
Phone: 973 560-0019 Whippany, New Jersey Fax: 973 560-0076

PART: IEC 60320 C14 APPL. INLET; SOLDER TERMINALS; SIDE FLANGE

42R03-7X2X

SIZE: A
SCALE: NTS

ALL DIMENSIONS FOR REFERENCE ONLY
DIMENSIONS ARE IN MILLIMETERS

SHEET 1 of 1
REV: A