

6

5

4

3



2

1

MATERIAL AND FINISH:

Insulator: Nylon 66, black, UL-94V-1 rated
Contacts: Brass, Tin plated

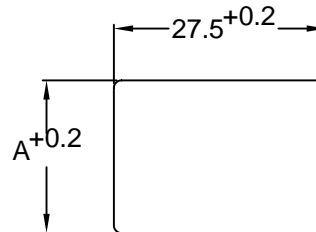
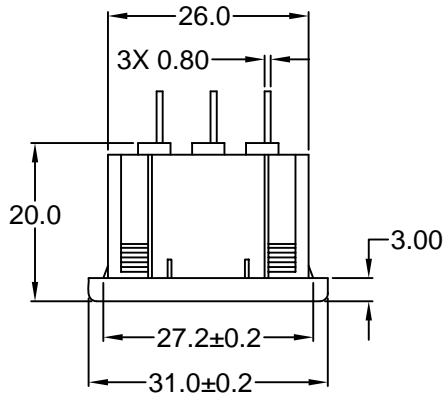
ELECTRICAL SPECIFICATIONS:

Current rating: 10 A 
Voltage rating: 250 VAC
Current rating: 15 A 
Voltage rating: 250 VAC
Insulation resistance: 100 Mohm min. at 500 VDC
Dielectric withstanding voltage: 2000 VAC for one minute
Operating Temperature: 70°C

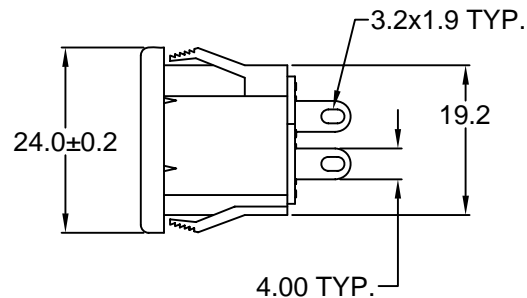
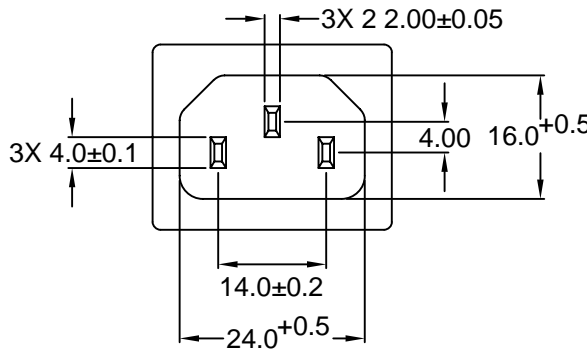
RoHS COMPLIANT

NOTES:

Recommended panel thickness
0.8mm max. to 3.5mm max.



RECOMMENDED
PANEL CUTOUT



REVISIONS	CHANGE	CHNG	CHK	APPR
	REVISD / REDRAWN	GO	TD	PB
	PANEL CUTOOUT DIM A			
	DATE			
REV	DATE			
A	10/24/01			
B	12/6/05			

TOLERANCE
UNLESS OTHERWISE SPECIFIED

X ± 1
X.X ± 0.4
X.XX ± 0.20

Power Dynamics, Inc.

Phone: 973 560-0019 Whippany, New Jersey Fax: 973 560-0076

PART: UNIVERSAL IEC 60320 C14 APPL. INLET;
SOLDER TERMINALS, SNAP-IN

PANEL THICKNESS	A
0.8 - 1.2	20.3
1.3 - 2.0	20.5

DRAWN BY	SS	DATE:	04/17/00
CHECK BY	PB	DATE:	4/17/00
APPR BY	SS	DATE:	4/17/00

PART #: PD-42R03-11		SHEET
SIZE: A	ALL DIMENSIONS FOR REFERENCE ONLY DIMENSIONS ARE IN MILLIMETERS	1 of 1
SCALE: NTS		REV: B

6

5

4

3

2

1