

MATERIAL AND FINISH

Insulator: Polycarbonate, UL-94V-0 rated
Contacts: Brass, Tin plated over Copper

ELECTRICAL SPECIFICATIONS:

Current rating: 10 A/15 A
Voltage rating: 250 VAC
Insulation resistance: 100 Mohm min. at 500 VDC
Dielectric withstanding voltage: 2000 VAC for one minute



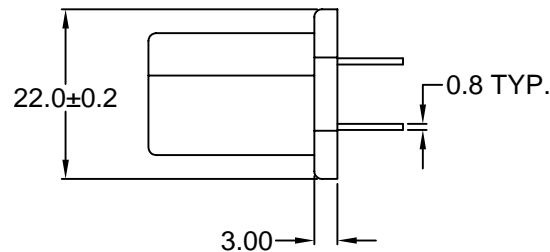
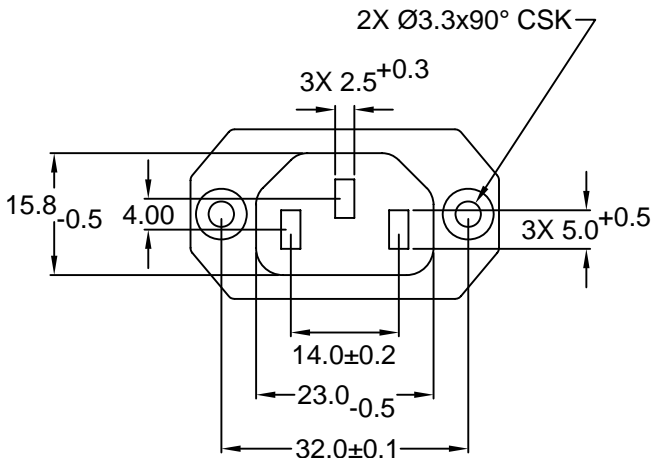
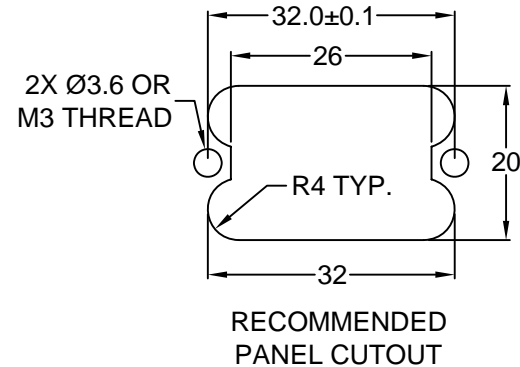
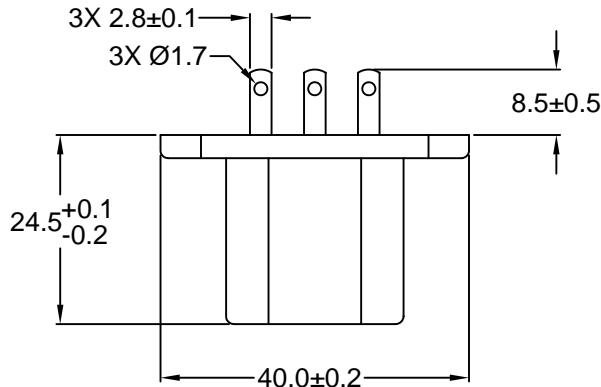
ORDERING CODE:

43R05-1 4
 1 2

- 1) COLOR
1 = BLACK
2 = GRAY

2) ELECTRICAL CIRCUIT CONFIGURATION

- 1 = 10A 250V 70°C
15A 250V 70°C
2+GROUND
- 2 = 10A 250V 120°C
15A 250V 120°C
2+GROUND
- 3 = 10A 250V 155°C
15A 250V 155°C
2+GROUND



REVISIONS	CHANGE	CHK	CHK	APPR
REV	DATE			

TOLERANCE UNLESS OTHERWISE SPECIFIED			
X	± 1		
X.X	± 0.4		
X.XX	± 0.20		
DRAWN BY	GQ	DATE:	10/08/01
CHECK BY	TD	DATE:	10/18/01
APPR BY	PB	DATE:	10/18/01

Power Dynamics, Inc.	
Phone: 973 560-0019 Whippany, New Jersey Fax: 973 560-0076	
PART: 10A/15A IEC 60320 APPL. OUTLET; SOLDER TERMINALS; SIDE FLANGE, PANEL MOUNT	
43R05-1X4X	
SIZE: A	ALL DIMENSIONS FOR REFERENCE ONLY
SCALE: NTS	DIMENSIONS ARE IN MILLIMETERS
SHEET 1 of 1	REV: