

6

5

4

3

2

1

**MATERIAL AND FINISH:**

Insulator: Nylon 66, black, UL-94V-1 rated  
Contacts: Brass, Tin plated

**ELECTRICAL SPECIFICATIONS:**

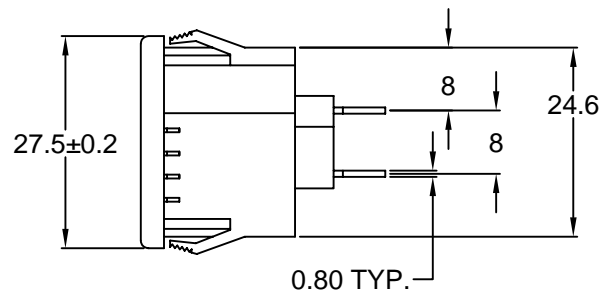
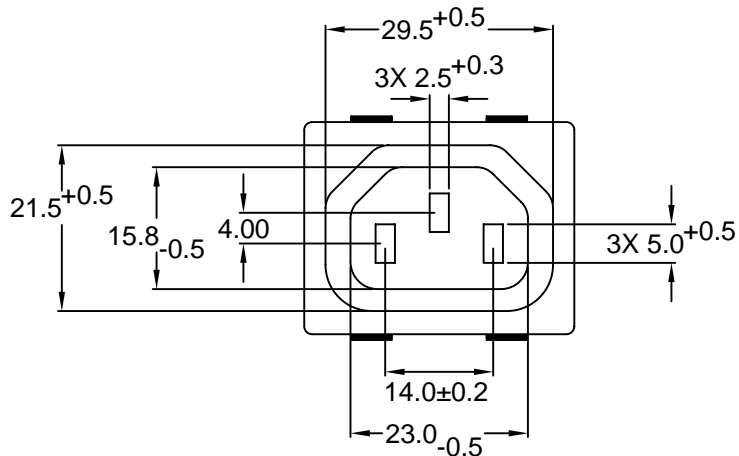
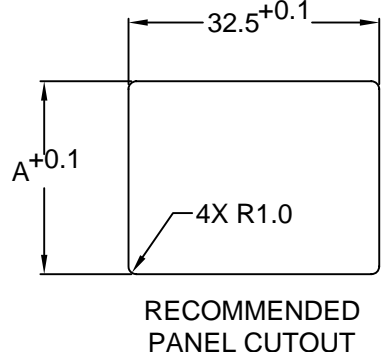
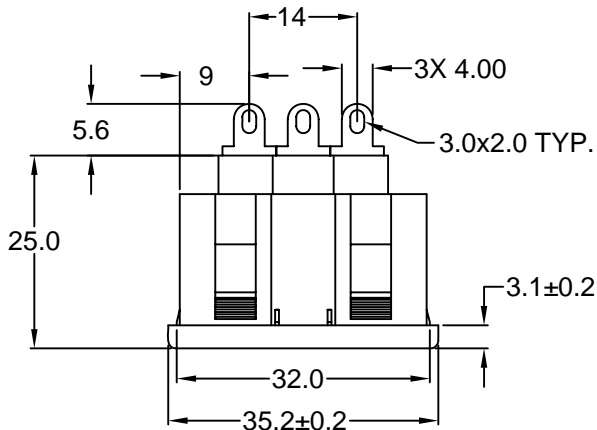
Current rating: 10 A  
Voltage rating: 250 VAC  
Current rating: 15 A  
Voltage rating: 250 VAC  
Insulation resistance: 100 Mohm min. at 500 VDC  
Dielectric withstanding voltage: 2000 VAC for one minute

Operating Temperature: 70°C



**NOTES:**

Recommended panel thickness  
0.8mm max. to 3.0mm max.



|     |      |        |                  |                             |                    |  |      |  |  |
|-----|------|--------|------------------|-----------------------------|--------------------|--|------|--|--|
| REV | DATE | CHANGE | CHNG             |                             | CHK                |  | APPR |  |  |
|     |      |        | GO               | TD                          | PB                 |  |      |  |  |
|     |      |        | REVISD / REDRAWN | ADD 14.0, 9.0, 8.3, 8.2 DIM | CHG REF DIM TO DIM |  |      |  |  |
|     |      |        | 10/23/01         | 11/24/04                    | 12/2/04            |  |      |  |  |
| A   | B    | C      |                  |                             |                    |  |      |  |  |

| PANEL THICKNESS | A    |
|-----------------|------|
| 0.8 - 1.0       | 25.4 |
| 1.0 - 1.2       | 25.5 |
| 1.2 - 1.5       | 25.6 |
| 2.0             | 25.7 |
| 3.0             | 25.7 |

|   |          |
|---|----------|
| TOLERANCE<br>UNLESS OTHERWISE SPECIFIED |          |
| X                                       | ± 1      |
| X.X                                     | ± 0.4    |
| X.XX                                    | ± 0.20   |
| DRAWN BY                                | BP       |
| DATE:                                   | 3/8/00   |
| CHECK BY                                | TD       |
| DATE:                                   | 10/24/01 |
| APPR BY                                 | PB       |
| DATE:                                   | 10/25/01 |

**Power Dynamics, Inc.**

Phone: 973 560-0019 Whippany, New Jersey Fax: 973 560-0076

PART: UVIVERSAL IEC 60320 C13 APPL. OUTLET;  
SOLDER TERMINALS, SNAP-IN

|                     |  |              |
|---------------------|--|--------------|
| PART #: PD-43R04-11 |  | SHEET 1 of 1 |
| SIZE: A             | ALL DIMENSIONS FOR REFERENCE ONLY<br>DIMENSIONS ARE IN MILLIMETERS |              |
| SCALE: NTS          | REV: C   |              |