

6

5

4

3

2

1

MATERIAL AND FINISH:

Insulator: Polycarbonate, UL-94V-0 rated
Contacts: Brass, Nickel plated

ELECTRICAL SPECIFICATIONS:


Current rating: 10 A
Voltage rating: 250 VAC
Insulation resistance: 100 Mohm min. at 500 VDC
Dielectric withstanding voltage: 2000 VAC for one minute


ORDERING CODE:


42R33-2 2
 1 2

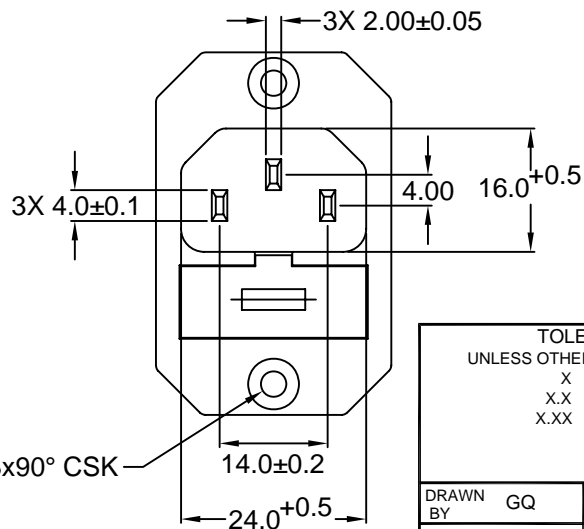
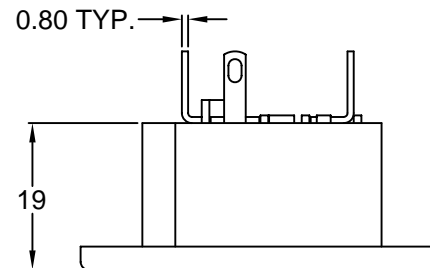
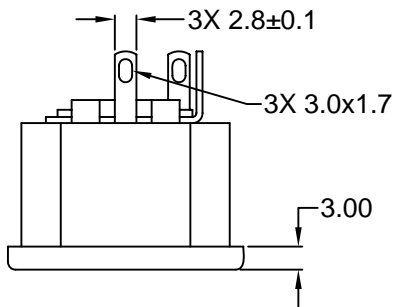
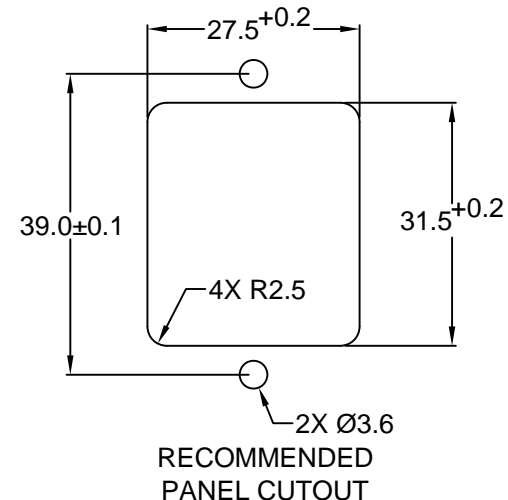
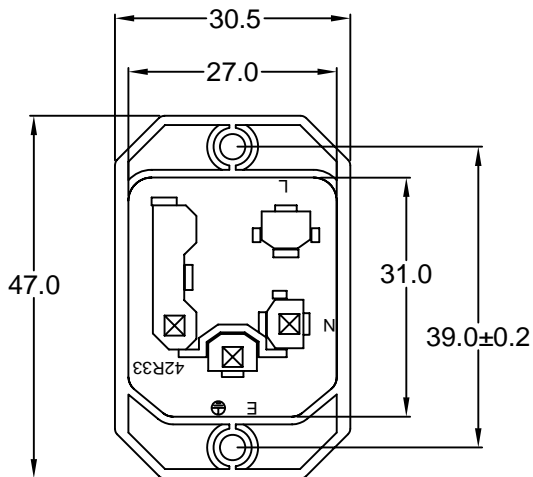
- 1) COLOR
1 = BLACK
2 = GRAY

2) ELECTRICAL CIRCUIT CONFIGURATION

1 = 10A 250V 70°C
2+GROUND 

2 = 10A 250V 120°C
2+GROUND 

4 = 10A 250V 70°C
2 POLE 



2X Ø3.3x90° CSK

RoHS
COMPLIANT

TOLERANCE UNLESS OTHERWISE SPECIFIED	
X	± 1
X.X	± 0.4
X.XX	± 0.20
DRAWN BY	GQ
CHECK BY	TD
APPR BY	PB
DATE:	09/12/01
DATE:	09/12/01
DATE:	09/12/01

Power Dynamics, Inc.

Phone: 973 560-0019 Whippany, New Jersey Fax: 973 560-0076

PART: IEC 60320 SINGLE FUSE HOLDER APPL. IN-LET; SOLDER TERMINALS; CROSS FLANGE

42R33-2X2X SHEET 1 of 1

ALL DIMENSIONS FOR REFERENCE ONLY
DIMENSIONS ARE IN MILLIMETERS

REVISIONS	CHANGE	CHKG	CHKD	APPR
REV	DATE			

6

5

4

3

2

1