

6

5

4

3

2

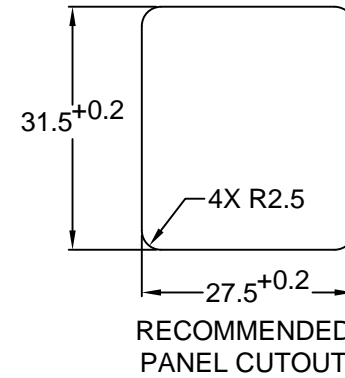
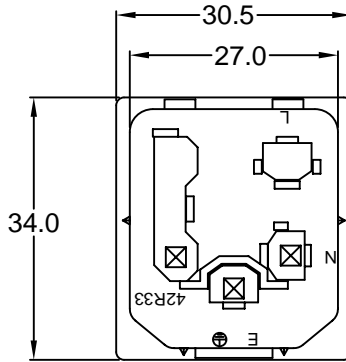
1

**MATERIAL AND FINISH:**

Insulator: Polycarbonate, UL-94V-0 rated  
Contacts: Brass, Nickel plated

**ELECTRICAL SPECIFICATIONS:**

Current rating: 10 A  
Voltage rating: 250 VAC  
Insulation resistance: 100 Mohm min. at 500 VDC  
Dielectric withstanding voltage: 2000 VAC for one minute



**ORDERING CODE:**

42R33-3    2    -        
          1   2    3

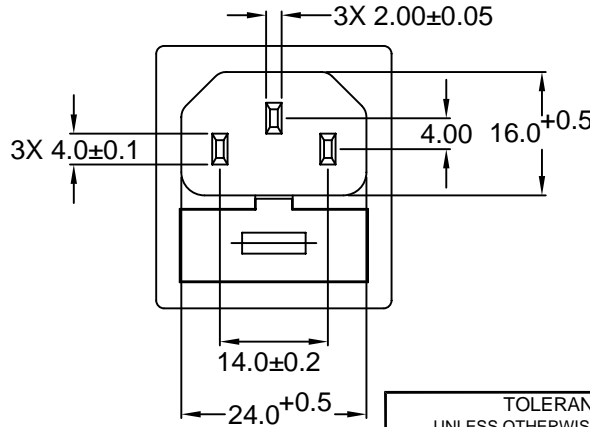
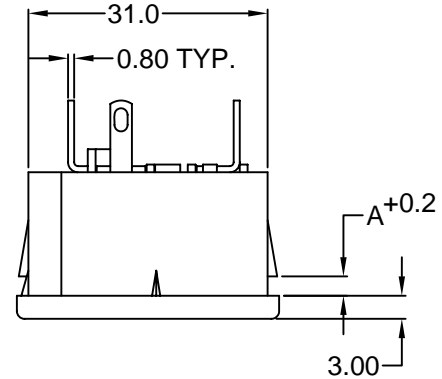
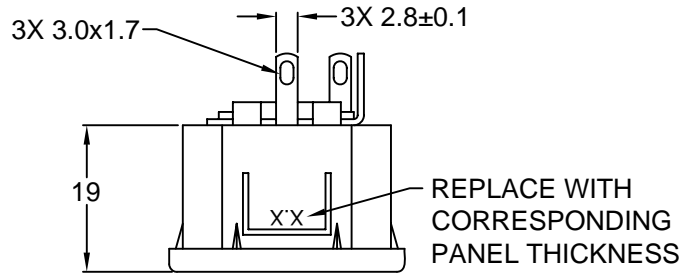
**1) COLOR**

- 1 = BLACK
- 2 = GRAY

**2) ELECTRICAL CIRCUIT CONFIGURATION**

- 1 = 10A 250V 70°C 2+GROUND
- 2 = 10A 250V 120°C 2+GROUND
- 4 = 10A 250V 70°C 2 POLE

**3) PANEL THICKNESS**



P/N	A	MAX. PANEL THICKNESS
42R33-3X2X-150	1.5	1.5
42R33-3X2X-200	2.0	2.0
42R33-3X2X-250	2.5	2.5

ADDITIONAL PANEL THICKNESS AVAILABLE ON REQUEST

**Power Dynamics, Inc.**  
Phone: 973 560-0019 Whippany, New Jersey Fax: 973 560-0076

PART: IEC 60320 SINGLE FUSE HOLDER APPL.  
INLET; SOLDER TERMINALS; SNAP-IN

42R33-3X2X-XXX SHEET 1 of 1

SCALE: NTS ALL DIMENSIONS FOR REFERENCE ONLY DIMENSIONS ARE IN MILLIMETERS REV:

TOLERANCE UNLESS OTHERWISE SPECIFIED  
X ± 1  
X.X ± 0.4  
X.XX ± 0.20

DRAWN BY GQ DATE: 09/12/01  
CHECK BY TD DATE: 09/12/01  
APPR BY PB DATE: 09/12/01

**RoHS COMPLIANT**

REV	DATE	CHANGE	CHNG	CHK	APPR

6

5

4

3

2

1