

6

5

4

3

2

1

MATERIAL AND FINISH:

Insulator: Thermoplastic, UL-94V-0 rated, color white

Contacts: Brass, Nickel plated

**RoHS
COMPLIANT**

ELECTRICAL SPECIFICATIONS:

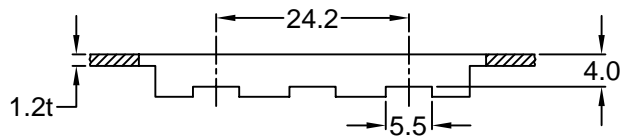
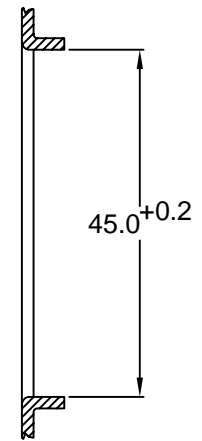
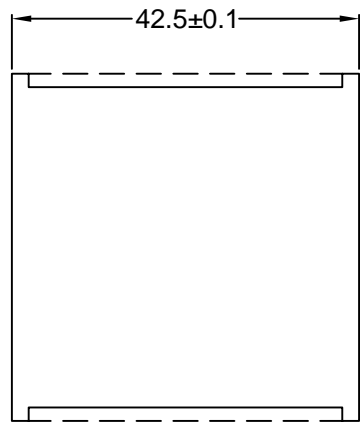
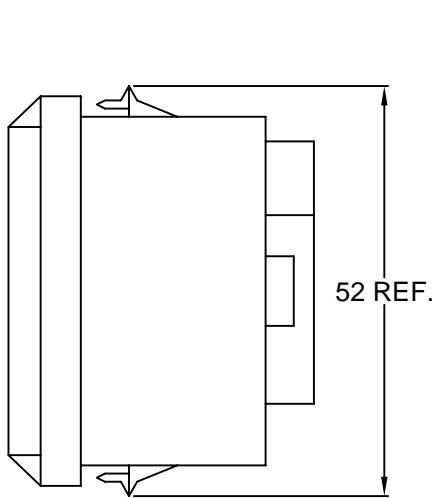
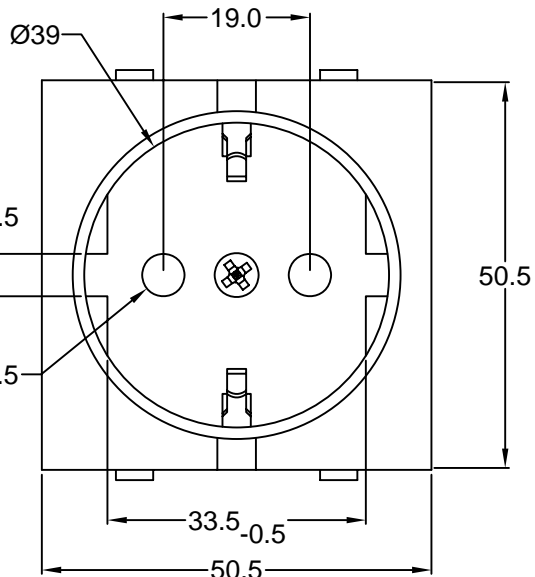
Rated current: 16A

Rated voltage: 250VAC

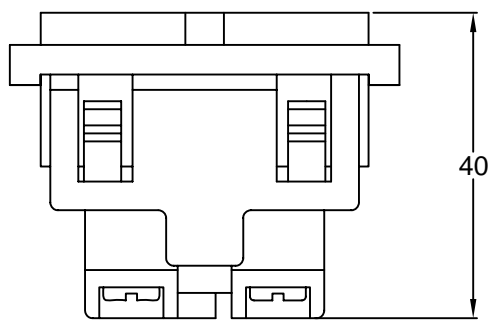
Insulation resistance: 100 Mohm min. at 500VDC

Dielectric withstanding voltage: 2000VAC for one minute

APPROVALS: 



**RECOMMENDED
PANEL CUTOUT**



REVISIONS	CHNG	CHECK	APPR
	DATE	8/3/10	A
	CHANGE	UPDATED	PB
	REV	A	

TOLERANCE UNLESS OTHERWISE SPECIFIED		
X	±	1
X.X	±	0.4
X.XX	±	0.20
DRAWN BY	TD	DATE: 06/09/99
CHECK BY	PAD	DATE: 06/09/99
APPR BY	SS	DATE: 06/09/99

Power Dynamics, Inc.
 Phone: 973 560-0019 Whippany, New Jersey Fax: 973 560-0076

PART: CEE 7/7 CONTINENTAL EUROPEAN
 RECEPTACLE 16A 250VAC

PD-16EU

SIZE: A
 SCALE: NTS

ALL DIMENSIONS FOR REFERENCE ONLY
 DIMENSIONS ARE IN MILLIMETERS

SHEET 1 of 1
 REV: A