

MATERIAL SPECIFICATIONS:  
 Housing: LCP, UL-94V-0 rated  
 Contacts: Phosphor bronze, Tin plated

ELECTRICAL SPECIFICATIONS:  
 Rated current : UL= 9A / 18AWG, 7A / 20 - 24AWG  
                   cUL = 6A / 18AWG, 4A / 20 - 24AWG  
                   IEC/EN = 5 Amps  
 Rated voltage: UL/cUL = 600V, IEC/EN = 250V

MECHANICAL SPECIFICATIONS:  
 Applicable wire: 0.2 ~0.75mm<sup>2</sup> solid  
                   24-18 AWG solid, prebond or topcoated stranded  
 Wire strip length: 7-8mm  
 Connection type: Cage clamp  
 Wire release: with tool  
 Solder temperature: 270°C max.

ENVIRONMENTAL SPECIFICATIONS:  
 Operating Temperature: -40°C ~ +105°C



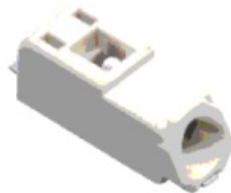
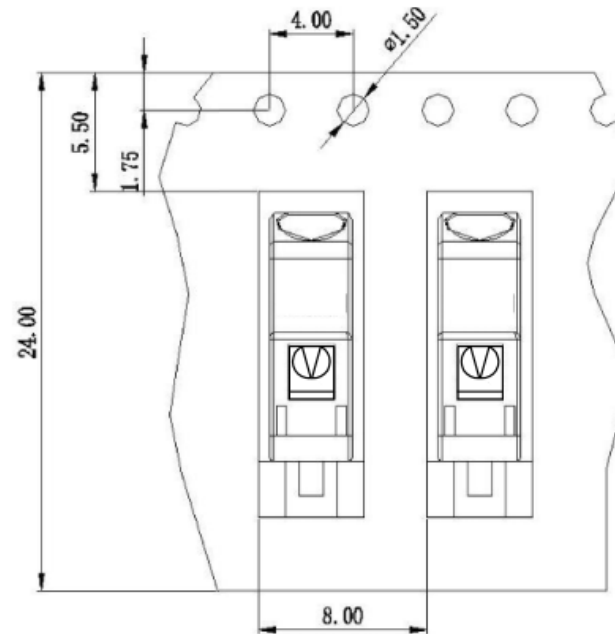
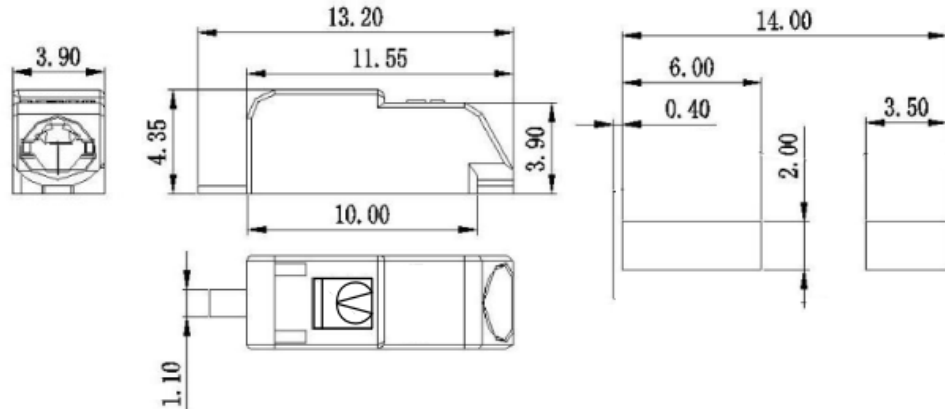
SAFETY AGENCY APPROVALS:

STANDARDS: UL1977 / CSA-C22.2 No. 182.3

STANDARDS: IEC/EN 60998-1:2004 / 60998-2-2:2004

PACKAGING:

Tape & Reel: 2000 pcs per reel



TOLERANCE UNLESS OTHERWISE SPECIFIED	
X	± 1
X.X	± 0.4
X.XX	± 0.13
DRAWN BY	PB
DATE:	1/24/18
CHECK BY	DATE:
APPR BY	DATE:

**Power Dynamics, Inc.**

Phone: 973 560-0019 Whippany, New Jersey Fax: 973 560-0076

PART: 4mm PITCH SMT TERMINAL BLOCK  
 SINGLE POLE; FOR LED APPLICATIONS

PART # PD-LTB4-1P

SHEET  
1 of 1

MC: B07-1P  
 SCALE: NTS

ALL DIMENSIONS FOR REFERENCE ONLY  
 DIMENSIONS ARE IN MILLIMETERS

REV:

REVISIONS	CHANGE	CHK	CHK	APPR
REV	DATE			