

**MATERIAL SPECIFICATIONS:**  
Housing: LCP, UL-94V-0 rated  
Contacts: Phosphor bronze, Tin plated

**ELECTRICAL SPECIFICATIONS:**  
Rated current: UL = 5A / 22 - 26AWG  
                  cUL = 5A / 22AWG, 3A / 24 - 26AWG  
                  IEC/EN = 3A  
Rated voltage: UL/cUL = 600V, IEC/EN = 250V

**MECHANICAL SPECIFICATIONS:**  
Applicable wire: 0.14 ~0.34mm<sup>2</sup> solid  
                      26-22 AWG solid  
Wire strip length: 4.5 - 5.5mm  
Connection type: Cage clamp  
Wire release: with tool  
Solder temperature: 270°C max.

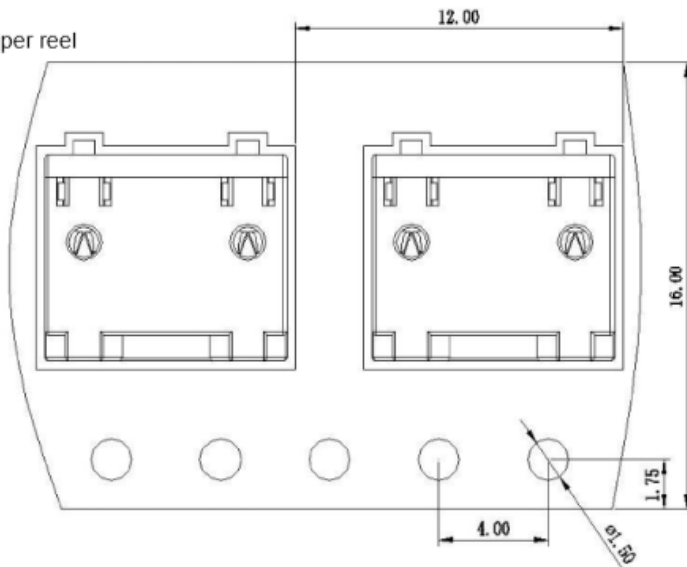
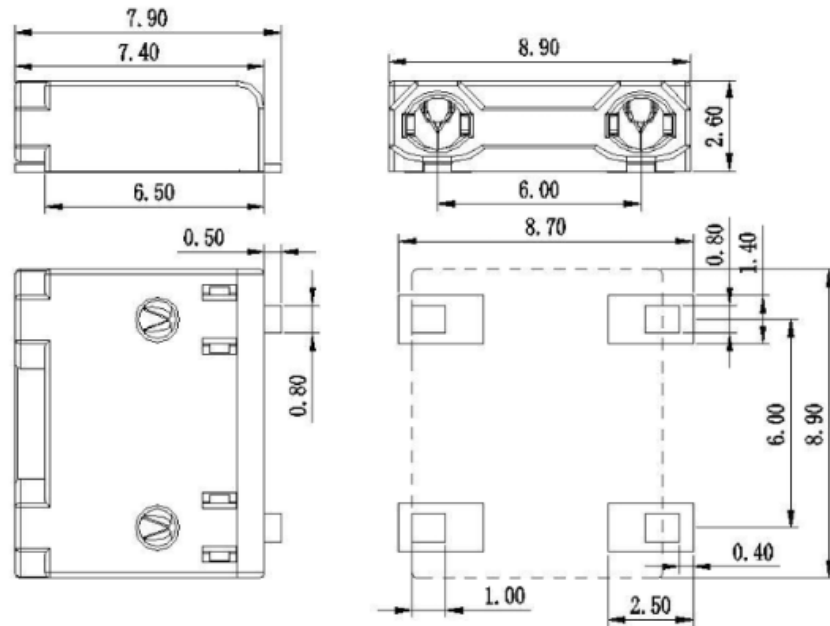
**ENVIRONMENTAL SPECIFICATIONS:**  
Operating Temperature: -40°C ~ +105°C



**SAFETY AGENCY APPROVALS:**

STANDARDS: UL1977 / CSA-C22.2 No. 182.3

**PACKAGING:**  
Tape & Reel; 800 pcs per reel



<b>TOLERANCE</b> UNLESS OTHERWISE SPECIFIED X ± 1 X.X ± 0.4 X.XX ± 0.13		<b>Power Dynamics, Inc.</b> Phone: 973 560-0019 Whippany, New Jersey Fax: 973 560-0076	
<b>DRAWN</b> BY: PB DATE: 3/22/18		<b>PART:</b> 6mm PITCH SMT MICRO TERMINAL BLOCK TWO POLE; FOR LED APPLICATIONS	
<b>CHECK</b> BY: DATE:		<b>PART #:</b> PD-LTB6-2P	
<b>APPR</b> BY: DATE:		MC: B07A-6.0	ALL DIMENSIONS FOR REFERENCE ONLY DIMENSIONS ARE IN MILLIMETERS
		SCALE: NTS	REV:

REVISIONS	CHNG	CHK	APPR
	CHANGE		
	REV	DATE	

6 5 4 3 2 1

D

C

B

A

6 5 4 3 2 1