

6

5

4

3

2

1

MATERIAL:

Housing: PBT, color black

Bracket: Brass

Contacts: Brass

ELECTRICAL SPECIFICATIONS:

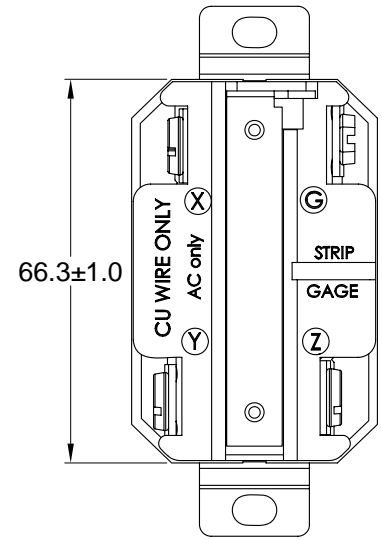
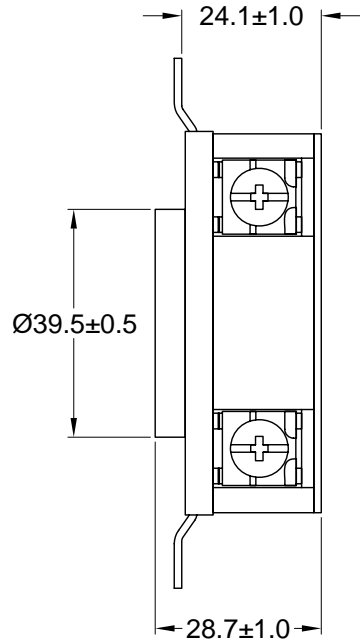
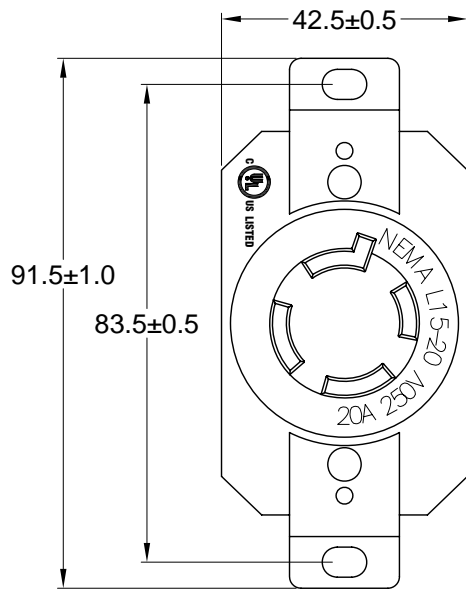
Rated current: 20A

Rated voltage: 250VAC

APPROVALS:



**RoHS
COMPLIANT**



REV	DATE	CHANGE	CHKG	CHECK	APPR

TOLERANCE UNLESS OTHERWISE SPECIFIED	
X	± 1
X.X	± 0.4
X.XX	± 0.13

Power Dynamics, Inc.
 Phone: 973 560-0019 Whippany, New Jersey Fax: 973 560-0076
PART: NEMA L15-20R LOCKING RECEPTACLE

DRAWN BY	PB	DATE:	12/13/10
CHECK BY		DATE:	
APPR BY		DATE:	

PART #: PD-L1520R-B		SHEET
SIZE: A		1 of 1
SCALE: NTS	ALL DIMENSIONS FOR REFERENCE ONLY DIMENSIONS ARE IN MILLIMETERS	REV: