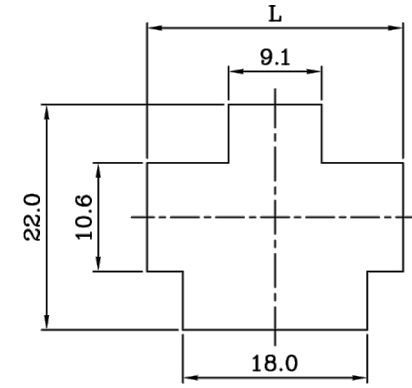
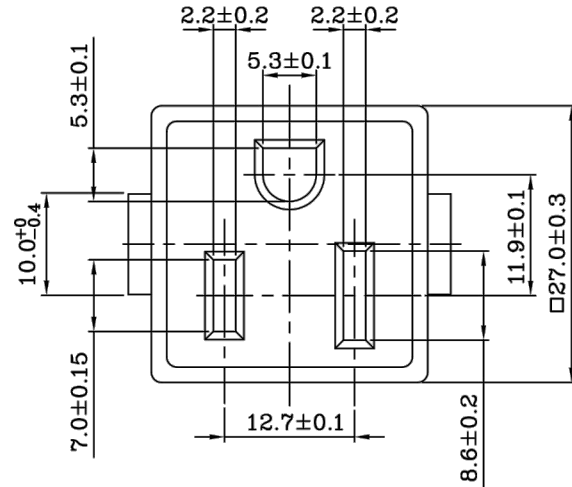


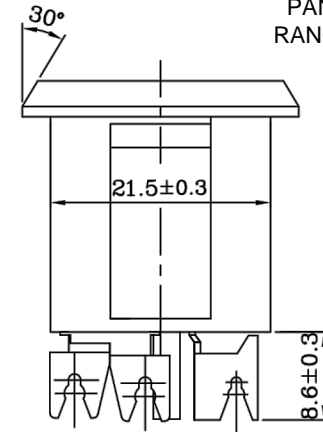
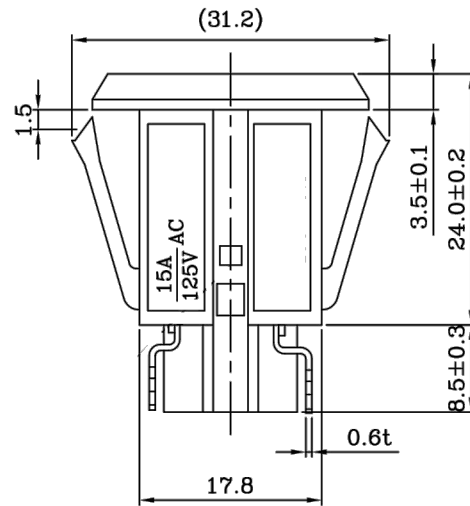
MATERIAL AND FINISH:
 Insulator: Thermoplastic, black, UL-94V-0 rated
 Contacts: Copper Alloy, Tin plated

ELECTRICAL SPECIFICATIONS:
 Rated current: 15A
 Rated voltage: 125VAC **UL** US

RoHS
 COMPLIANT



RECOMMENDED PANEL
 CUTOUT
 PANEL THICKNESS
 RANGE 0.8 ~ 1.6 MAX.



REVISONS		CHANGE	CHK	APPR
REV	DATE	DESCRIPTION	CHK	APPR
A	5/84	REVISED DRAWING	JA	AH
B	12/22/99	REVISED DIM. & SPECS.	PB	SS
C	10/26/01	REVISED / REDRAWN	GQ	TD
D	8/24/05	VOLTAGE WAS 250	PB	
E	2/25/13	REVISED / REDRAWN	DF	

TOLERANCE UNLESS OTHERWISE SPECIFIED	
X	± 1
X.X	± 0.4
X.XX	± 0.20

DRAWN BY	JA	DATE:	5/9/94
CHECK BY	AH	DATE:	5/10/94
APPR BY	SS	DATE:	5/10/94

Power Dynamics, Inc.
 Phone: 973 560-0019 Whippany, New Jersey Fax: 973 560-0076

PART: NORTH AMERICAN NEMA 5-15R; SINGLE
 SOCKET, V-SLOT TERMINALS

PD-15

PART #: PD-15
 SIZE: A
 SCALE: NTS

ALL DIMENSIONS FOR REFERENCE ONLY
 DIMENSIONS ARE IN MILLIMETERS

SHEET 1 of 1
 REV: E