

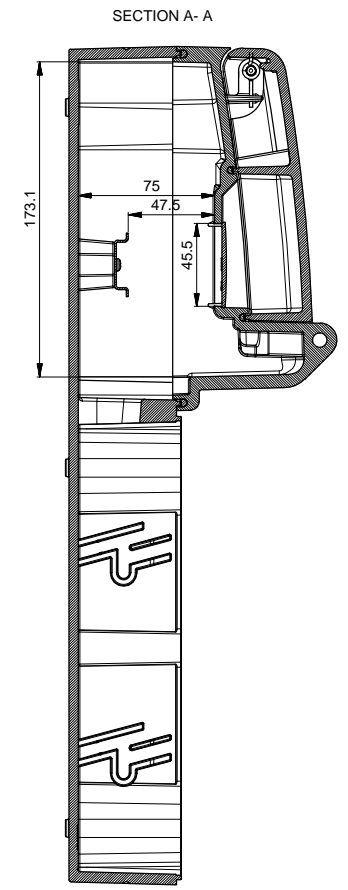
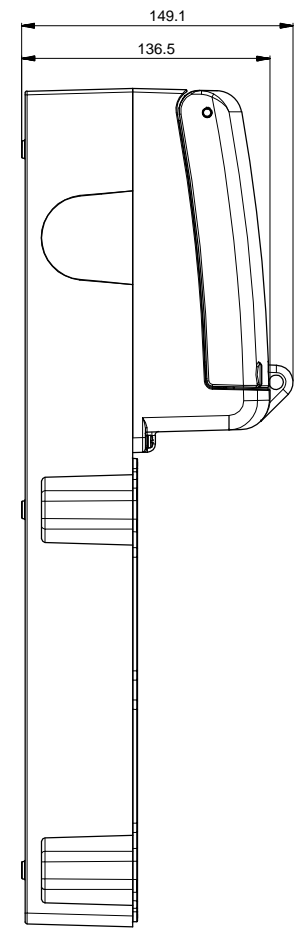
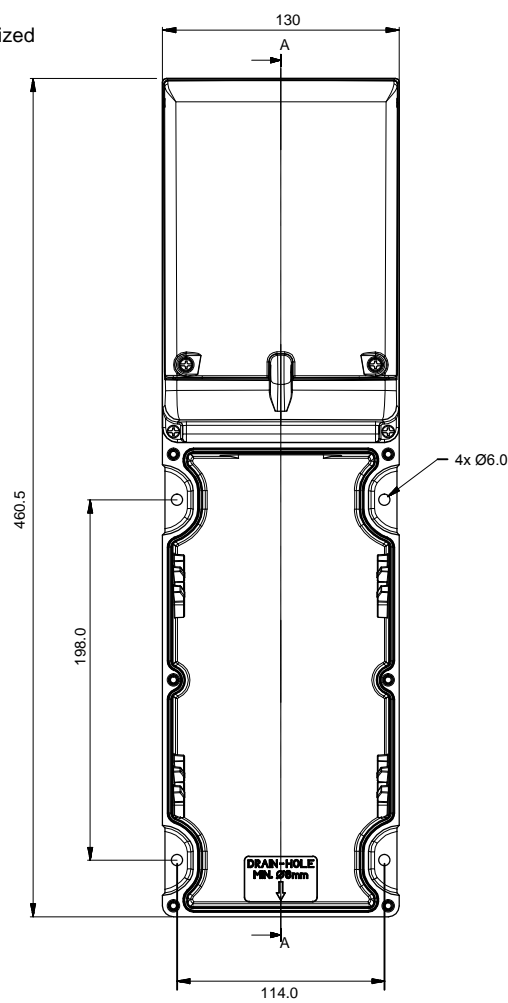
**MATERIAL:**

Glass reinforced polyester, thermosetting material  
UL-94-V0 rated, color Gray

UV resistance: All exposed materials are UV stabilized  
Living Building Challenge Red List v3.0 compliant

RoHS  
COMPLIANT

REACH  
COMPLIANT



<p><b>TOLERANCE</b> UNLESS OTHERWISE SPECIFIED</p> <p>X ± 1 X.X ± 0.4 X.XX ± 0.20</p>	
<p>DRAWN BY BP</p>	<p>DATE: 4/27/16</p>
<p>CHECK BY</p>	<p>DATE:</p>
<p>APPR BY</p>	<p>DATE:</p>

**Power Dynamics, Inc.**  
Phone: 973 560-0019 Whippany, New Jersey Fax: 973 560-0076

PART: SINGLE BASE WITH WIRING BOX FOR 20/30 AMP ADVANCE GRP SWITCHED PIN & SLEEVE MECHANICAL INTERLOCK

579.5111

SCALE: A NTS

ALL DIMENSIONS FOR REFERENCE ONLY  
DIMENSIONS ARE IN MILLIMETERS

SHEET 1 of 1

REV:

REV	DATE	CHANGE	CHK	CHK	APPR