

6

5

4

3

2

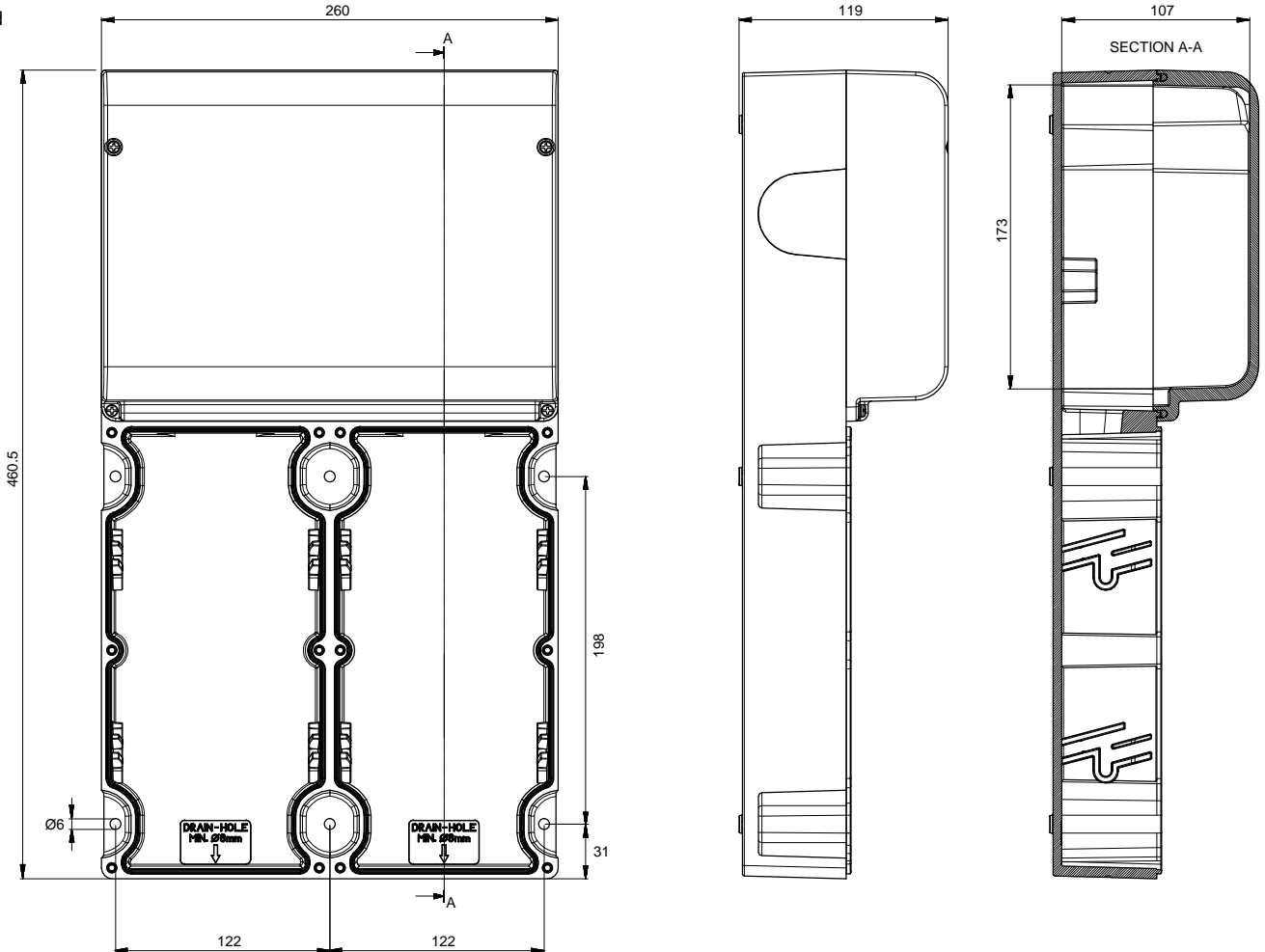
1

MATERIAL:
 Glass reinforced polyester, thermosetting material
 UL-94-V0 rated, color Gray

UV resistance: All exposed materials are UV stabilized
 Living Building Challenge Red List v3.0 compliant

RoHS
COMPLIANT

REACH
COMPLIANT



D

C

B

A

D

C

B

A

REV	CHANGE		CHNG	CHK	APPR
	REVISIONS				
	DATE				

TOLERANCE UNLESS OTHERWISE SPECIFIED	
X	± 1
X.X	± 0.4
X.XX	± 0.20
DRAWN BY	BP
DATE:	1/18/17
CHECK BY	
DATE:	
APPR BY	
DATE:	

Power Dynamics, Inc.
 Phone: 973 560-0019 Whippany, New Jersey Fax: 973 560-0076

PART: DOUBLE BASE WITH REMOVABLE COVER WIRING BOX FOR
 20/30A ADVANCE GRP SWITCHED PIN & SLEEVE MECHANICAL INTERLOCK

579.5122

PART #: 579.5122

SIZE: A

SCALE: NTS

ALL DIMENSIONS FOR REFERENCE ONLY
 DIMENSIONS ARE IN MILLIMETERS

SHEET 1 of 1

REV:

6

5

4

3

2

1