

6

5

4

3

2

1

MATERIAL AND FINISH:

Insulator: Polycarbonate, UL-94V-0 rated

Contacts: IEC C14, 70°C: Brass, Nickel plated

IEC C16, 120°C: Bronze, Nickel plated

ELECTRICAL SPECIFICATIONS:

Current rating: 10 A

Voltage rating: 250 VAC

ORDERING CODE:

42R04- $\frac{3}{1}$ $\frac{1}{2}$

1) ELECTRICAL CIRCUIT CONFIGURATION

1 = IEC C14, 10A 250V 70°C
2+GROUND



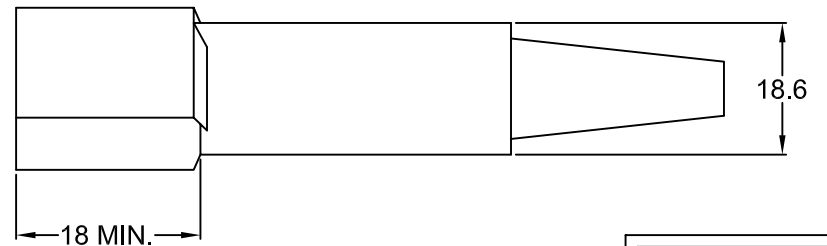
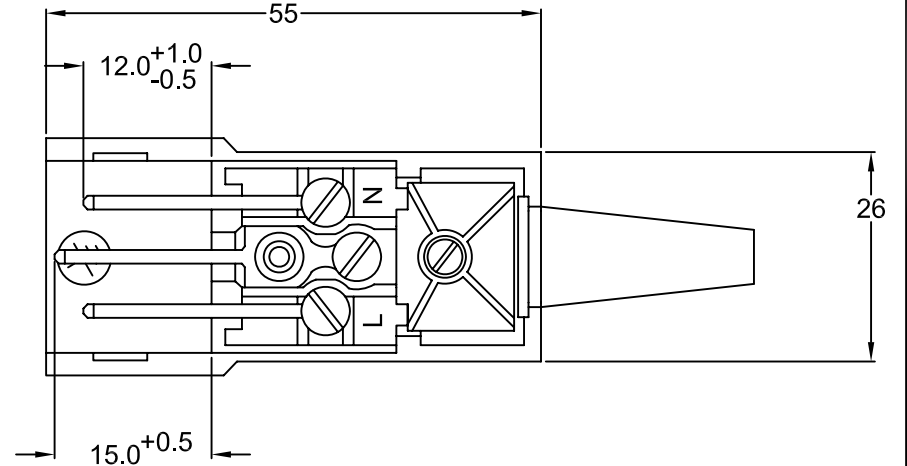
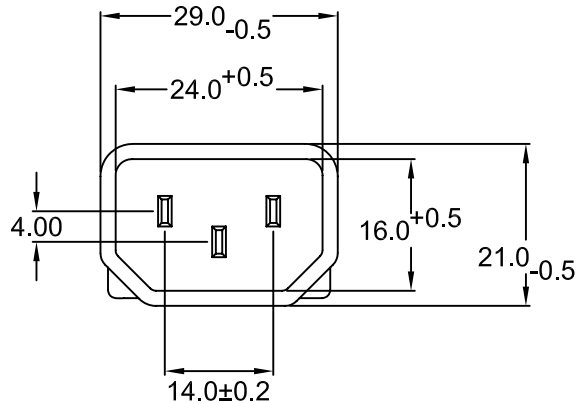
2 = IEC C16, 10A 250V 120°C
2+GROUND



2) COLOR

1 = BLACK

2 = GRAY



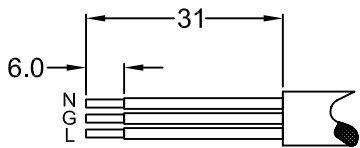
RoHS
COMPLIANT

NOTES:

1. Contains integral cable clamp strain relief & internal screw type connections. Maximum wire gauge is 16AWG stranded.

2. Recommended screw torque: 1.2Nm

3. Recommended strip length for jacket and conductors:



REV	DATE	CHANGE	CHNG		CHK		APPR		
A	1/25/07	NOTES 2 & 3; RoHS	PB	DF	PB				
B	11/1/008	29.0-0.5 WAS 28.2 +0.3	PB		PB				

TOLERANCE UNLESS OTHERWISE SPECIFIED	
X	± 1
X.X	± 0.4
X.XX	± 0.20
DRAWN BY	GQ
DATE:	08/17/01
CHECK BY	TD
DATE:	08/20/01
APPR BY	PB
DATE:	08/21/01

Power Dynamics, Inc.

Phone: 973 560-0019 Whippany, New Jersey Fax: 973 560-0076

PART: IEC 60320 C14 & C16 MALE POWER CORD
PLUG; STRAIGHT CONNECTION

42R04-X3X1

PART #:	42R04-X3X1	SHEET	1 of 1
SIZE:	A	ALL DIMENSIONS FOR REFERENCE ONLY DIMENSIONS ARE IN MILLIMETERS	REV: D
SCALE:	NTS		

6

5

4

3

2

1