

6

5

4

3

2

1

MATERIAL:

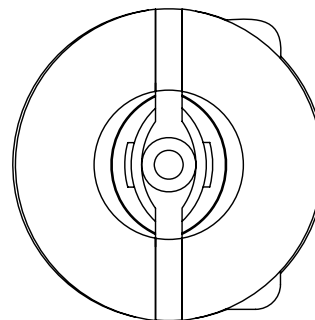
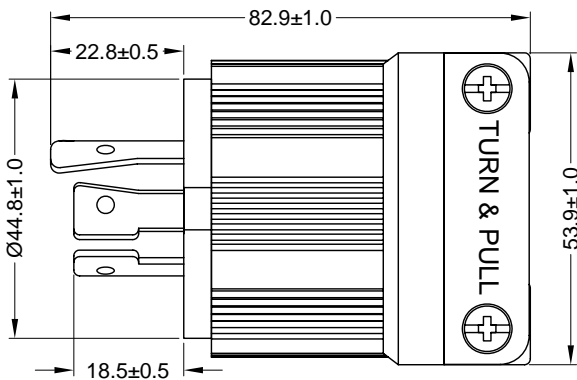
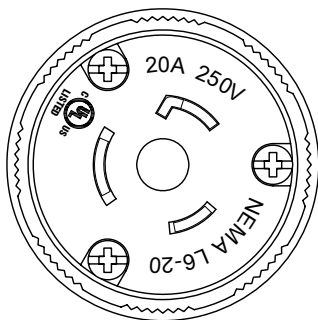
Housing & Cord Clamp: Nylon, color black
Blade Holder & Terminal Retainer: Polycarbonate
Blades: Brass

ELECTRICAL SPECIFICATIONS:

Rated current: 20A
Rated voltage: 250VAC

APPROVALS: 

**RoHS
COMPLIANT**



| | | | | | |
|-----|------|--------|------|-------|------|
| REV | DATE | CHANGE | CHKG | CHECK | APPR |
| | | | | | |

| | |
|---|--------|
| TOLERANCE UNLESS OTHERWISE SPECIFIED | |
| X | ± 1 |
| X.X | ± 0.4 |
| X.XX | ± 0.13 |
| DRAWN BY | PB |
| DATE: | 5/7/10 |
| CHECK BY | |
| DATE: | |
| APPR BY | |
| DATE: | |

| | |
|--|--|
| Power Dynamics, Inc. | |
| Phone: 973 560-0019 Whippany, New Jersey Fax: 973 560-0076 | |
| PART: NEMA L6-20P PLUG; 20A 250VAC ASSEMBLY TYPE | |
| PART #: PD-L620P-B | |
| SIZE: A | ALL DIMENSIONS FOR REFERENCE ONLY DIMENSIONS ARE IN MILLIMETERS |
| SCALE: NTS | |
| SHEET 1 of 1 | REV: |

6

5

4

3

2

1