

6

5

4

3

2

1

**MATERIAL:**

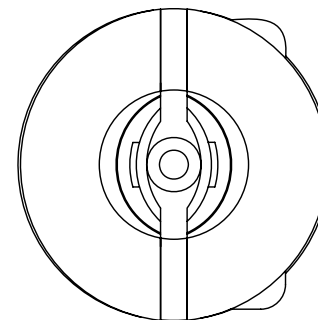
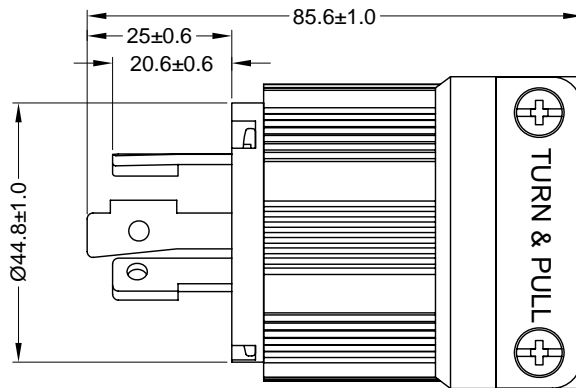
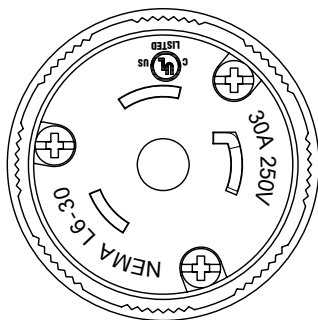
Housing & Cord Clamp: Nylon, color black  
Blade Holder & Terminal Retainer: Polycarbonate  
Blades: Brass

**ELECTRICAL SPECIFICATIONS:**

Rated current: 30A  
Rated voltage: 250VAC

APPROVALS: 

**RoHS  
COMPLIANT**



REV	DATE	CHANGE	CHKG	CHKD	APPR

REVISIONS

TOLERANCE UNLESS OTHERWISE SPECIFIED	
X	± 1
X.X	± 0.4
X.XX	± 0.13
DRAWN BY	PB
CHECK BY	
APPR BY	
DATE:	5/7/10
DATE:	
DATE:	

<b>Power Dynamics, Inc.</b>		
Phone: 973 560-0019 Whippany, New Jersey Fax: 973 560-0076		
PART: NEMA L6-30P; 30A 250V ASSEMBLY TYPE		
PART #: PD-L630P-B2		SHEET 1 of 1
SIZE: A	ALL DIMENSIONS FOR REFERENCE ONLY DIMENSIONS ARE IN MILLIMETERS	REV:
SCALE: NTS		

6

5

4

3

2

1