

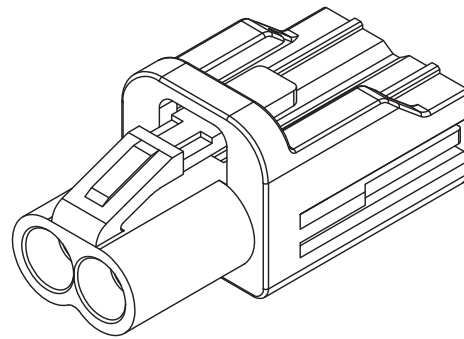
4	ECN NO.	REV	DATE	3	DESCRIPTION	2	MDF'D	1	APP'D
		A0	2022. 10. 25		Initial version		LEo		JJW

NOTES:
 1. MATERIAL AND FINISHES (PLATING THICKNESS IN MICRIO-INCHES):
 SEE THE FORM BELOW

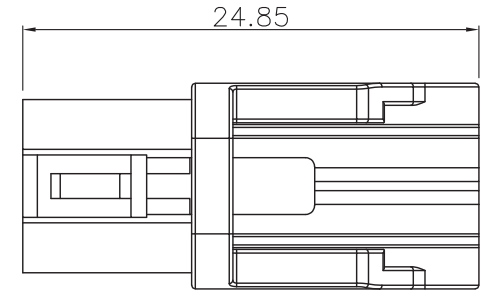
2. ELECTRICAL:
 A. IMPEDANCE: 50 OHM NOMIAL
 B. FREQUENCY RANGE: DC-6 GHz
 C. VSWR (RETURN LOSS): 25dB, DC to 3GHz
 20dB, DC to 6GHz
 D. D. W. V: 750 VRMS, MIN
 E. CENTER CONTACT RESISTANCE: $\leq 24m\Omega$ (PER USCAR-17)
 F. OUT CONDUCTOR RESISTANCE: $\leq 5m\Omega$ (PER USCAR-2)

3. MECHANICAL:
 A. MATING CYCLES ≥ 25
 B. ENGAGEMENT FORCE $\leq 30N$
 C. DISENGAGEMENT FORCE $\geq 5N$
 D. RETENTION FORCE LACTH $\geq 110N$
 E. CODING EFFICIENCY $\geq 200N$

4. ENVIRONMENTAL DATA:
 A. TEMPERATURE RANGE: -40C TO +105C
 B. THERMAL SHOCK: (PER USCAR-2)
 C. TEMPERATURE AND HUMIDITY: (PER USCAR-2)
 D. VIBERATION AND MECHANICAL SHOCK: (PER USCAR-2)

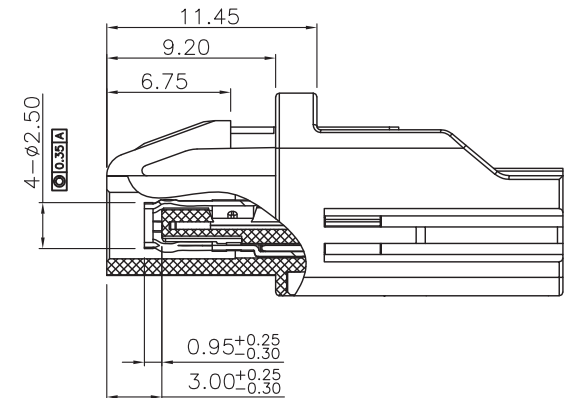
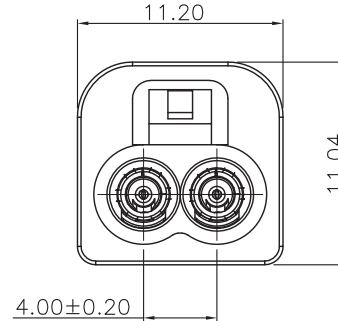
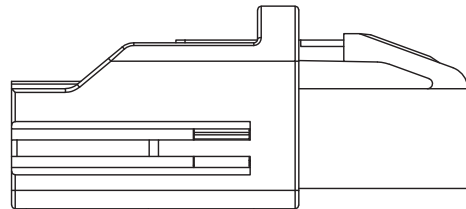


3D VIEW



102*00002
 CODING:
 SEE TABLE

Mates with 101x00008 & 102x00006 Series



7	Crimp-1	2	C3602	Nickel 80u" Min
6	Plastic Housing	1	PPOPA	See table
5	Inner Stopper	1	PPOPA	Zinc yellow
4	Insulator	2	PPOPA	Signal green
3	Terminal	2	C5210	Nickel 80u" Min, Contact gold 3u"
2	Crimp	2	C5191	Nickel 80u" Min
1	Crimp	2	C5191	Nickel 80u" Min
NO	Part name	Number	Material	Plating / Color

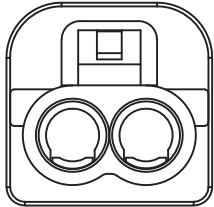
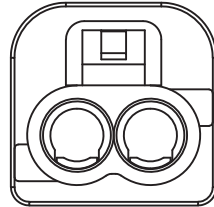
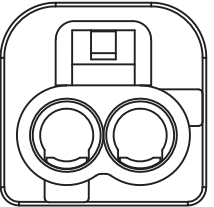
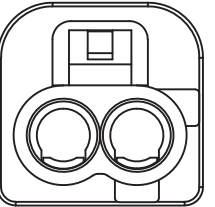
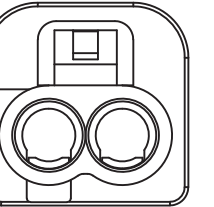
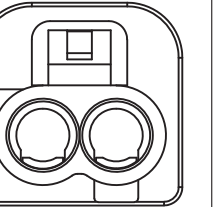
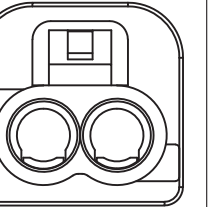
General Tolerance		Angle Tolerance	
<0.5	±0.10	±1°	
0.5-6	±0.15	Unless otherwise specified, dimensions are in metric and tolerances are	
6-30	±0.20		
30-120	±0.30		
MATL: SEE-NOTES			

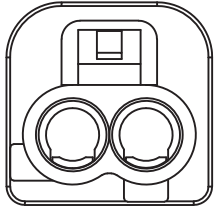
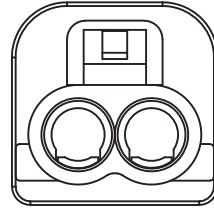
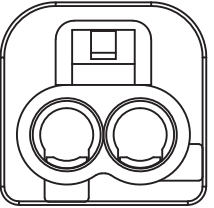
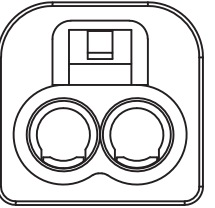
POWER DYNAMICS INC.			
145 Algonquin Parkway, Whippany, NJ 07981			
Phone: 1-973-560-0019		e-mail: sales@powerdynamics.com www.powerdynamics.com	
DESIGNER	LEo	TITLE: 2 pin Mini Fakra Jack	
CHECKED	LEo	PARTS NO:	102x00002
APPROVAL	JJW		(UNIT): mm (SCALE): 1:1 (SHT): 1/2

CUSTOMER-DRAWING

ECN NO.	REV	DATE	DESCRIPTION	MDF'D	APP'D
	A0	2022. 10. 25	Initial version	LEo	JJW

CODING TABLE

	102A00002	102B00002	102C00002	102D00002	102E00002	102F00002	102G00002
Plug							
Coding	A	B	C	D	E	F	G
Color	black	white	blue	Claret Violet	green	brown	grey
Ral NO.	9005	9010	5012	4004	6017	8011	7036

	102H00002	102J00002	102K00002	102Z00002
Plug				
Coding	H	J	K	Z
Color	light pink	beige	curry	Waterblue
Ral NO.	3015	1001	1027	5021

General Tolerance	Angle Tolerance
<0.5 ±0.10	±1° Unless otherwise specified, dimensions are in metric and tolerances are
0.5-6 ±0.15	
6-30 ±0.20	
30-120 ±0.30	
MATL: SEE-NOTES	

POWER DYNAMICS INC.

145 Algonquin Parkway, Whippany, NJ 07981

Phone: 1-973-560-0019

e-mail: sales@powerdynamics.com

www.powerdynamics.com

DESIGNER

LEo

TITLE: 2 pin Mini Fakra Jack

CHECKED

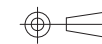
LEo

PARTS NO:

102x00002

APPROVAL

JJW



(UNIT): mm

(SCALE): 1:1

(SHT): 2/2

CUSTOMER-DRAWING