

NOTES:

1. MATERIAL AND FINISHES (PLATING THICKNESS IN MICRTO-INCHES):
SEE THE FORM BELOW

2. ELECTRICAL:

- A. IMPEDANCE: 50 OHM NOMIAL
- B. FREQUENCY RANGE: DC-6 GHz
- C. VSWR (RETURN LOSS): 25dB, DC to 3GHz
20dB, DC to 6GHz
- D. D. W. V: 750 VRMS, MIN
- E. CENTER CONTACT RESISTANCE: $\leq 24m\Omega$ (PER USCAR-17)
- F. OUT CONDUCTOR RESISTANCE: $\leq 5m\Omega$ (PER USCAR-2)

3. MECHANICAL:

- A. MATING CYCLES ≥ 25
- B. ENGAGEMENT FORCE $\leq 45N$
- C. DISENGAGEMENT FORCE $\geq 5N$
- D. RETENTION FORCE LACTH $\geq 110N$
- E. CODING EFFICIENCY $\geq 200N$

4. ENVIRIOMENTAL DATA:

- A. TEMPERATURE RANGE: -40C TO +105C
- B. THERMAL SHOCK: (PER USCAR-2)
- C. TEMPERATURE AND HUMIDITY: (PER USCAR-2)
- D. VIBERATION AND MECHANICAL SHOCK: (PER USCAR-2)

5. "▼" IMPORTANT SIZE

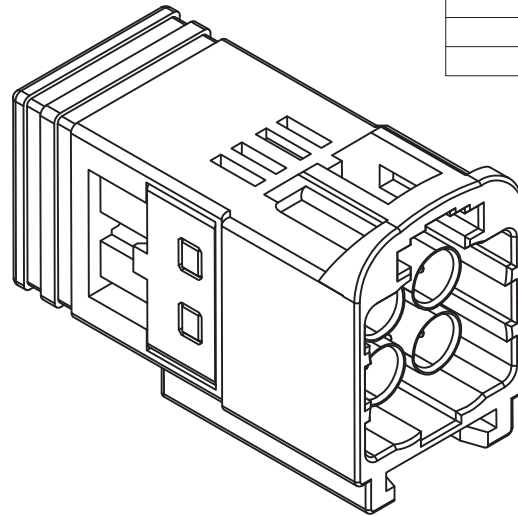
"★" SPECIAL CHARACTERISTIC

102*00003

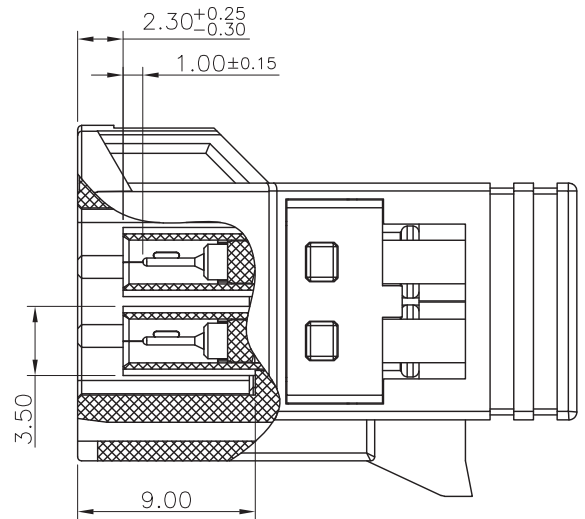
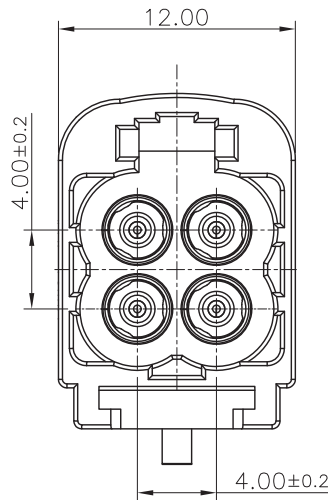
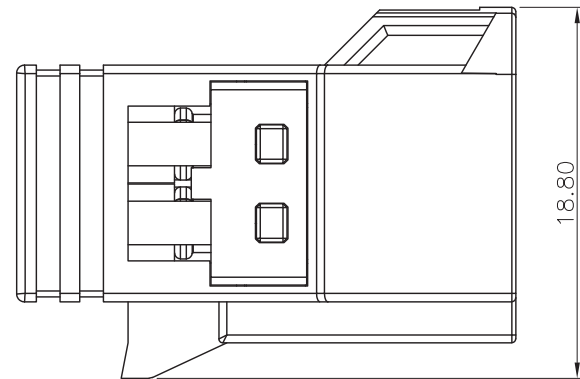
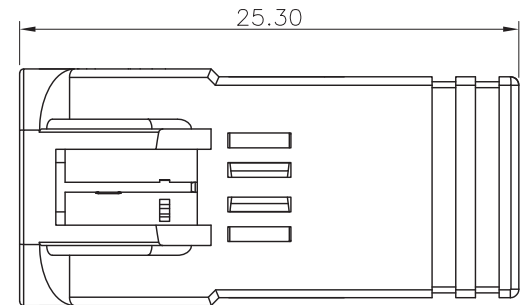
CODING:
SEE TABLE

Mates with 102x00001 Series

ECN NO.	REV	DATE	DESCRIPTION	MDF'D	APP'D
	A0	2022. 09. 23	Initial version	LEo	JJW



3D VIEW



NO	Part name	Number	Material	Plating / Color
7	Crimp	4	C3602	Nickel 80u" Min
6	Terminal	4	C5210	Nickel 80u" Min, Contact gold 3u"
5	Insulator	4	PPOPA	Signal green
4	Crimp	4	C5191	Nickel 80u" Min Su;120u"Min
3	Crimp	4	C5191	Nickel 80u" Min
2	Inner Stopper	2	PPOPA	Zinc yellow
1	Plastic Housing	1	PPOPA	See table

General Tolerance	Angle Tolerance
<0.5 ±0.10	±1°
0.5-6 ±0.15	Unless otherwise specified, dimensions are in metric and tolerances are
6-30 ±0.20	
30-120 ±0.30	
MATL: SEE-NOTES	

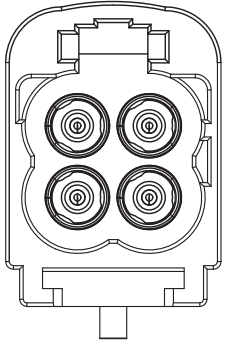
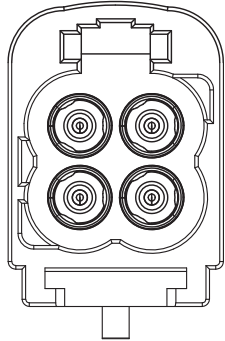
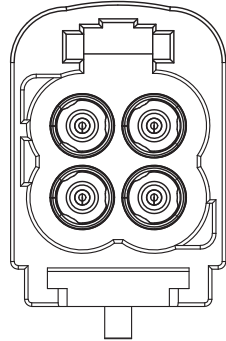
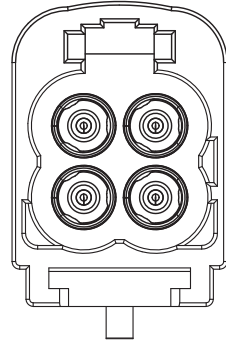
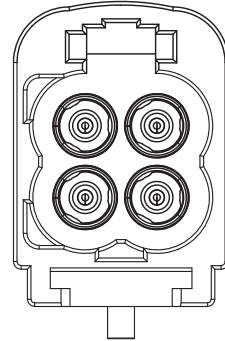
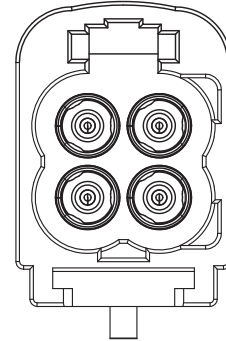
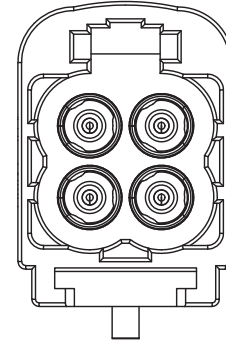
POWER DYNAMICS INC.
145 Algonquin Parkway, Whippany, NJ 07981
Phone: 1-973-560-0019 e-mail: sales@powerdynamics.com www.powerdynamics.com

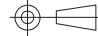
DESIGNER	LEo	TITLE: 4 pin Mini Fakra Plug
CHECKED	LEo	PARTS NO: 102x00003
APPROVAL	JJW	(UNIT): mm (SCALE): 1:1 (SHT): 1/2

CUSTOMER-DRAWING

4		3		2		1	
ECN NO.	REV	DATE	DESCRIPTION		MDF'D	APP'D	
	A0	2022. 09. 23	Initial version		LEo	JJW	

CODING TABLE

	102A00003	102B00003	102C00003	102D00003	102E00003	102F00003	102Z00003
							
Coding	A	B	C	D	E	F	Z
Color	JET BLACK	CREAM	SIGNAL BLUE	CLARET VIOLET	GREEN	NUT BROWN	WATER BLUE
Ral NO.	9005	9010	5012	4004	6017	8011	5021

General Tolerance		Angle Tolerance	POWER DYNAMICS INC.			
<0.5	±0.10	±1°	145 Algonquin Parkway, Whippany, NJ 07981			
0.5-6	±0.15		Phone: 1-973-560-0019		e-mail: sales@powerdynamics.com	
6-30	±0.20		www.powerdynamics.com			
30-120	±0.30		Unless otherwise specified, dimensions are in metric and tolerances are			
MATL: SEE-NOTES			DESIGNER	LEo	TITLE: 4 pin Mini Fakra Plug	
CUSTOMER-DRAWING			CHECKED	LEo	PARTS NO: 102x00003	
			APPROVAL	JJW		(UNIT): mm (SCALE):1:1 (SHT):2/2