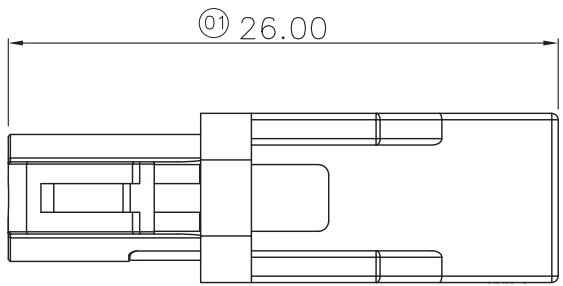
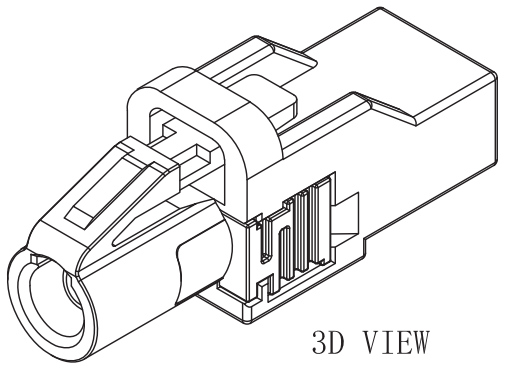


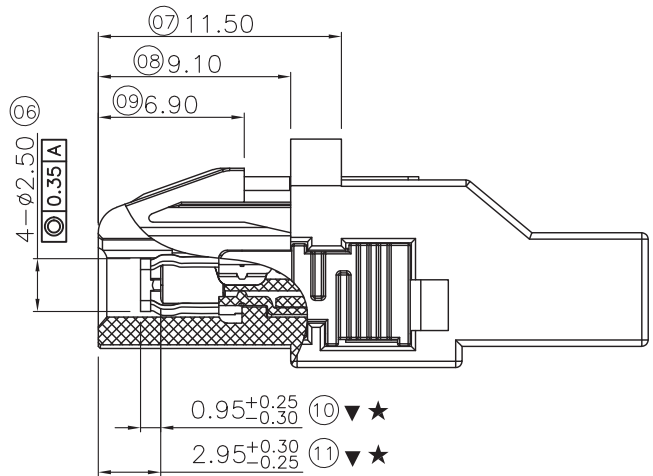
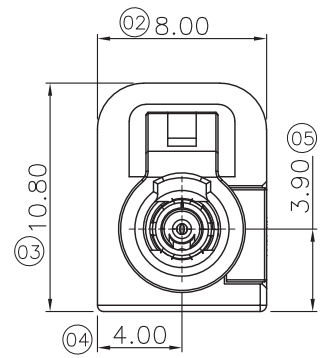
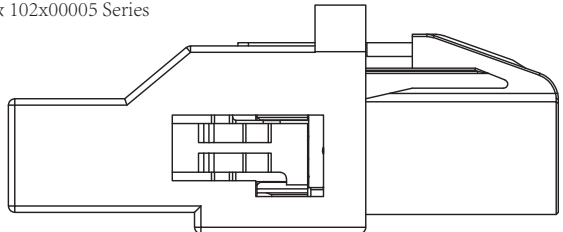
ECN NO.	REV	DATE	DESCRIPTION	MDF'D	APP'D
	A0	2022. 10. 25	Initial version	LEo	JJW

- NOTES:
- MATERIAL AND FINISHES (PLATING THICKNESS IN MICRIO-INCHES):
SEE THE FORM BELOW
 - ELECTRICAL:
 - IMPEDANCE: 50 OHM NOMIAL
 - FREQUENCY RANGE: DC-6 GHz
 - VSWR (RETURN LOSS): 25dB, DC to 3GHz
20dB, DC to 6GHz
 - D. W. V: 750 VRMS, MIN
 - CENTER CONTACT RESISTANCE: $\leq 24m\Omega$ (PER USCAR-17)
 - OUT CONDUCTOR RESISTANCE: $\leq 5m\Omega$ (PER USCAR-2)
 - MECHANICAL:
 - MATING CYCLES ≥ 25
 - ENGAGEMENT FORCE $\leq 15N$
 - DISENGAGEMENT FORCE $\geq 5N$
 - RETENTION FORCE LACTH $\geq 110N$
 - CODING EFFICIENCY $\geq 200N$
 - ENVIRONMENTAL DATA:
 - TEMPERATURE RANGE: -40C TO +105C
 - THERMAL SHOCK: (PER USCAR-2)
 - TEMPERATURE AND HUMIDITY: (PER USCAR-2)
 - VIBERATION AND MECHANICAL SHOCK: (PER USCAR-2)
 - "▼" IMPORTANT SIZE
"★" SPECIAL CHARACTERISTIC



102*00004
CODING:
SEE TABLE

Mates with 101x00007 & 102x00005 Series



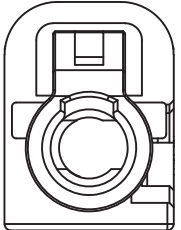
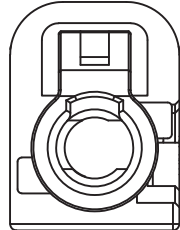
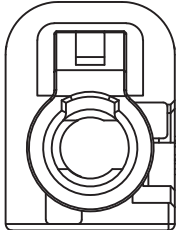
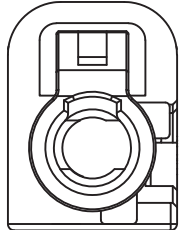
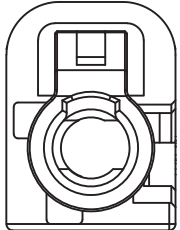
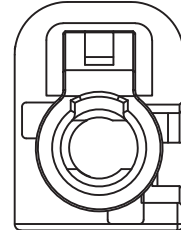
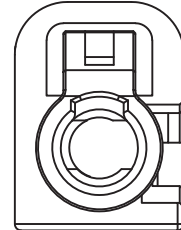
7	Crimp-1	1	C3602	Nickel 80u" Min
6	Plastic Housing	1	PPOPA	See table
5	Inner Stopper	1	PPOPA	Zinc yellow
4	Insulator	1	PPOPA	Signal green
3	Terminal	1	C5210	Nickel 80u" Min, Contact gold 3u"
2	Crimp	1	C5191	Nickel 80u" Min
1	Crimp	1	C5191	Nickel 80u" Min
NO	Part name	Number	Material	Plating / Color

General Tolerance		Angle Tolerance
<0.5	± 0.10	$\pm 1^\circ$
0.5-6	± 0.15	
6-30	± 0.20	
30-120	± 0.30	
MATL: SEE-NOTES		Unless otherwise specified, dimensions are in metric and tolerances are

POWER DYNAMICS INC.		
145 Algonquin Parkway, Whippany, NJ 07981		
Phone: 1-973-560-0019		e-mail: sales@powerdynamics.com
www.powerdynamics.com		
DESIGNER	LEo	TITLE: 1 pin Mini Fakra jack
CHECKED	LEo	PARTS NO: 102x00004
APPROVAL	JJW	(UNIT): mm (SCALE): 1:1 (SHT): 1/2

CUSTOMER-DRAWING

4		3		2		1	
ECN NO.	REV	DATE	DESCRIPTION		MDF'D	APP'D	
	A0	2022. 10. 25	Initial version		LEo	JJW	

	102A00004	102B00004	102C00004	102D00004	102E00004	102F00004	102Z00004
Plug							
Coding	A	B	C	D	E	F	Z
Color	Black	White	Blue	Claret	Green	Brown	Waterblue
Ral NO.	9005	9001	5005	4004	6002	8011	5021

General Tolerance		Angle Tolerance	POWER DYNAMICS INC.				
<0.5	±0.10	±1°	145 Algonquin Parkway, Whippany, NJ 07981				
0.5-6	±0.15		Phone: 1-973-560-0019		e-mail: sales@powerdynamics.com		www.powerdynamics.com
6-30	±0.20		DESIGNER: LEo TITLE: 1 pin Mini Pakra Jack CHECKED: LEo PARTS NO: 102x00004				
30-120	±0.30						
MATL: SEE-NOTES		Unless otherwise specified, dimensions are in metric and tolerances are	APPROVAL: JJW (UNIT): mm (SCALE): 1:1 (SHT): 2/2				
CUSTOMER-DRAWING							