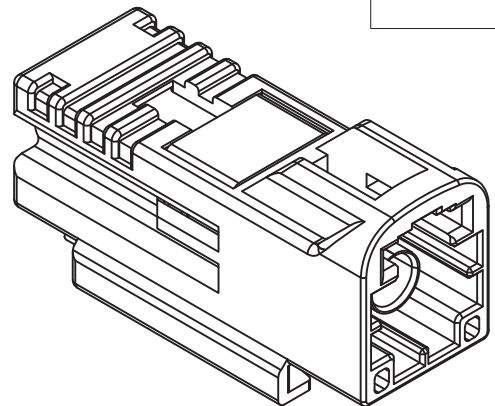


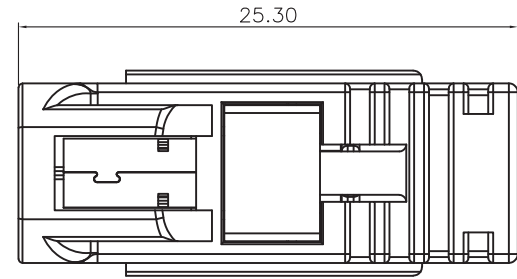
8 7 6 5 4 3 2 1

ECN NO.	REV	DATE	DESCRIPTION	MDF'D	APP'D
	A0	2022. 10. 21	Initial version	LEo	JJW

- NOTES:
- MATERIAL AND FINISHES(PLATING THICKNESS IN MICRIO-INCHES) :
SEE THE FORM BELOW
 - ELECTRICAL:
 - IMPEDANCE: 50 OHM NOMIAL
 - FREQUENCY RANGE: DC-6 GHz
 - VSWR(RETURN LOSS): 25dB, DC to 3GHz
20dB, DC to 6GHz
 - D. W. V: 750 VRMS, MIN
 - CENTER CONTACT RESISTANCE: $\leq 24m\Omega$ (PER USCAR-17)
 - OUT CONDUCTOR RESISTANCE: $\leq 5m\Omega$ (PER USCAR-2)
 - MECHANICAL:
 - MATING CYCLES ≥ 25
 - ENGAGEMENT FORCE $\leq 15N$
 - DISENGAGEMENT FORCE $\geq 5N$
 - RETENTION FORCE LACTH $\geq 110N$
 - CODING EFFICIENCY $\geq 150N$
 - ENVIRIOMENTAL DATA:
 - TEMPERATURE RANGE: -40C TO +105C
 - THERMAL SHOCK : (PER USCAR-2)
 - TEMPERATURE AND HUIMIDITY: (PER USCAR-2)
 - VIBERATION AND MECHANICAL SHOCK: (PER USCAR-2)
 - "▼"IMPORTANT SIZE
"★"SPECIAL CHARACTERISTIC



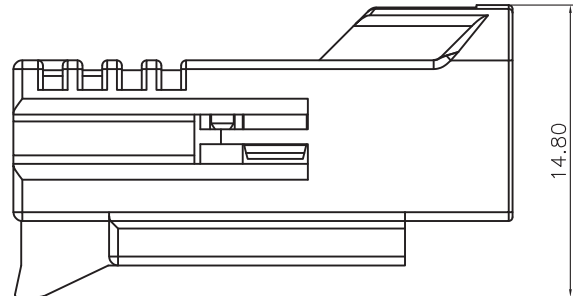
3D VIEW



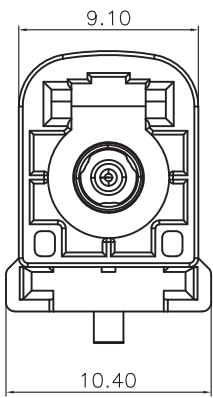
25.30

102*00005
CODING:
SEE TABLE

Mates with 102x00004 Series

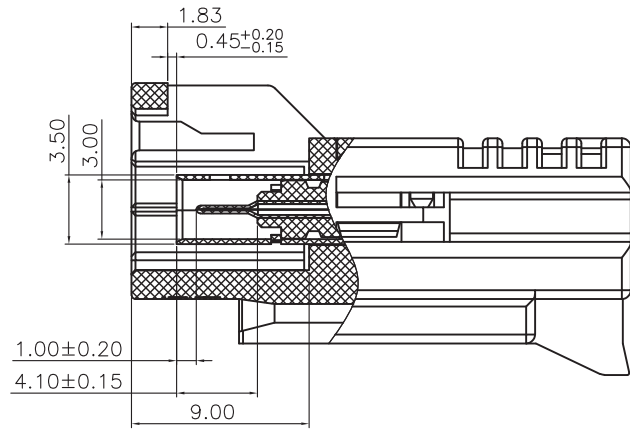


14.80



9.10

10.40



1.83
0.45 \pm 0.20
0.15
3.50
3.00
1.00 \pm 0.20
4.10 \pm 0.15
9.00

7	Crimp	1	C3602	Nickel 80u" Min
6	Terminal	1	C5210	Nickel 80u" Min, Contact gold 3u"
5	Insulator	1	PPOPA	Signal green
4	Crimp	1	C5191	Nickel 80u" Min Su;120u"Min
3	Crimp	1	C5191	Nickel 80u" Min
2	Inner Stopper	1	PPOPA	Zinc yellow
1	Plastic Housing	1	PPOPA	See table
NO	Part name	Number	Material	Plating / Color

General Tolerance	Angle Tolerance
<0.5 ±0.10	±1°
0.5-6 ±0.15	Unless otherwise specified, dimensions are in metric and tolerances are
6-30 ±0.20	
30-120 ±0.30	
MATL: SEE-NOTES	

POWER DYNAMICS INC.
145 Algonquin Parkway, Whippany, NJ 07981
Phone: 1-973-560-0019 e-mail: sales@powerdynamics.com www.powerdynamics.com

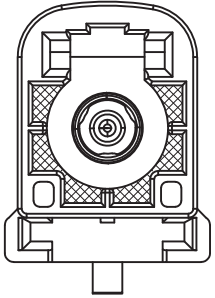
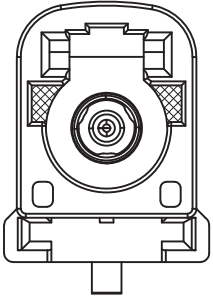
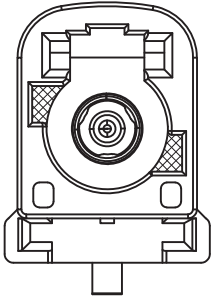
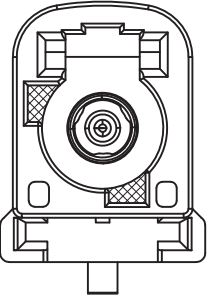
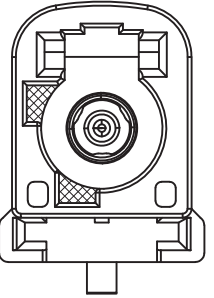
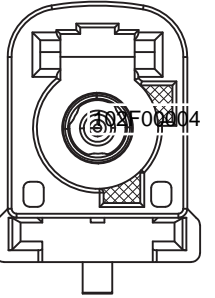
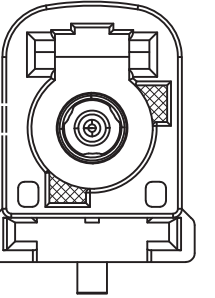
DESIGNER	LEo	TITLE:	1 pin Mini Fakra Plug
CHECKED	LEo	PARTS NO:	102x00005
APPROVAL	JJW		(UNIT): mm (SCALE):1:1 (SHT):1/2

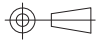
8 7 6 5 4 3 2 1

CUSTOMER-DRAWING

4		3		2		1	
ECN NO.	REV	DATE	DESCRIPTION		MDF'D	APP'D	
	A0	2022. 10. 21	Initial version		LEo	JJW	

CODING TABLE

Plug							
	Z	A	B	C	D	E	F
	Water blue (5021)	Dark black(9005)	Cream (9010)	Signal blue (5012)	Claret violet (4004)	Green (6017)	Dark brown (8011)
	102Z00005	102A00005	102B00005	102C00005	102D00005	102E00005	102F00005

General Tolerance		Angle Tolerance		POWER DYNAMICS INC.				
<0.5	±0.10	±1°		145 Algonquin Parkway, Whippany, NJ 07981				
0.5-6	±0.15			Phone: 1-973-560-0019 e-mail: sales@powerdynamics.com www.powerdynamics.com				
6-30	±0.20			DESIGNER	LEo	TITLE: 1 pin Mini Fakra Plug		
30-120	±0.30			CHECKED	LEo	PARTS NO: 102x00005		
MATL: SEE-NOTES		Unless otherwise specified, dimensions are in metric and tolerances are		APPROVAL	JJW		(UNIT): mm (SCALE):1:1 (SHT):2/2	
CUSTOMER-DRAWING								