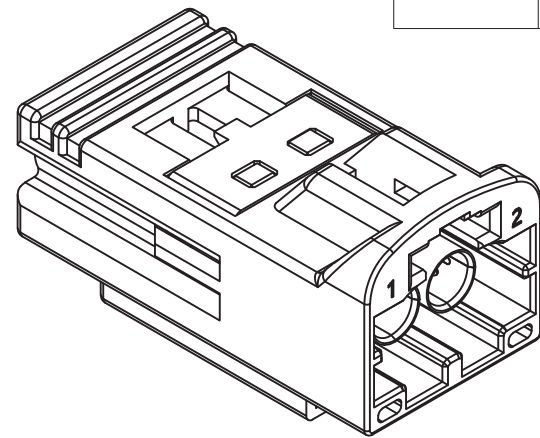


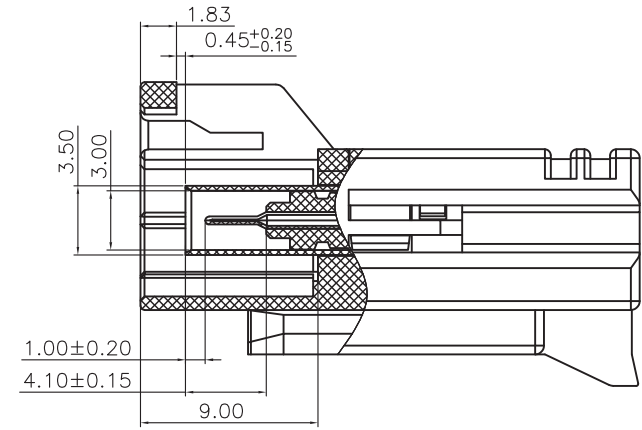
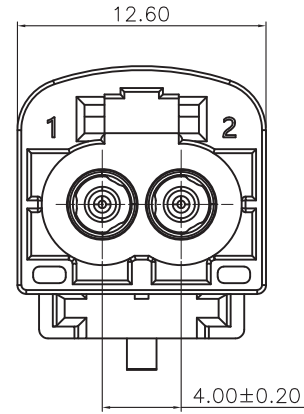
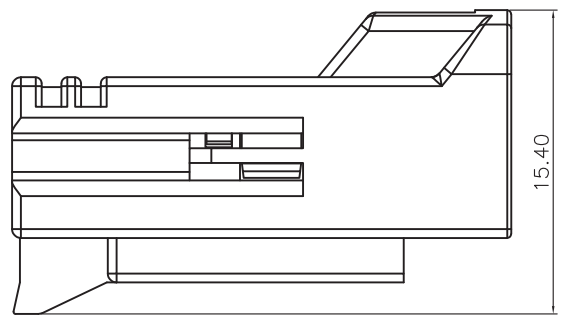
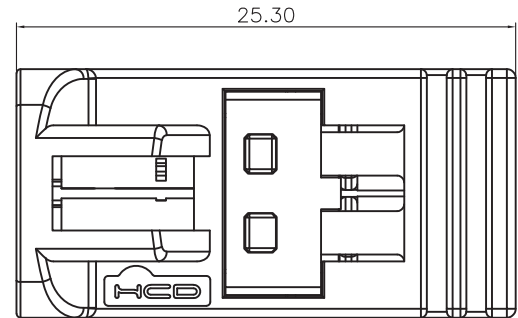
8 7 6 5 4 3 2 1

ECN NO.	REV	DATE	DESCRIPTION	MDF'D	APP'D
	A0	2022. 10. 21	Initial version	LEo	JJW

- NOTES:
- MATERIAL AND FINISHES (PLATING THICKNESS IN MICRIO-INCHES):
SEE THE FORM BELOW
 - ELECTRICAL:
 - IMPEDANCE: 50 OHM NOMIAL
 - FREQUENCY RANGE: DC-6 GHz
 - VSWR (RETURN LOSS): 25dB, DC to 3GHz
20dB, DC to 6GHz
 - D. W. V: 750 VRMS, MIN
 - CENTER CONTACT RESISTANCE: $\leq 24m\Omega$ (PER USCAR-17)
 - OUT CONDUCTOR RESISTANCE: $\leq 5m\Omega$ (PER USCAR-2)
 - MECHANICAL:
 - MATING CYCLES ≥ 25
 - ENGAGEMENT FORCE $\leq 30N$
 - DISENGAGEMENT FORCE $\geq 5N$
 - RETENTION FORCE LACTH $\geq 110N$
 - CODING EFFICIENCY $\geq 150N$
 - ENVIRIOMENTAL DATA:
 - TEMPERATURE RANGE: -40C TO +105C
 - THERMAL SHOCK: (PER USCAR-2)
 - TEMPERATURE AND HUIMIDITY: (PER USCAR-2)
 - VIBERATION AND MECHANICAL SHOCK: (PER USCAR-2)
 - "▼" IMPORTANT SIZE
"★" SPECIAL CHARACTERISTIC



3D VIEW



102*00006
CODING:
SEE TABLE

Mates with 102x00002 Series

7	Crimp	2	C3602	Nickel 80u" Min
6	Terminal	2	C5210	Nickel 80u" Min, Contact gold 3u"
5	Insulator	2	PPOPA	Signal green
4	Crimp	2	C5191	Nickel 80u" Min Su;120u"Min
3	Crimp	2	C5191	Nickel 80u" Min
2	Inner Stopper	1	PPOPA	Zinc yellow
1	Plastic Housing	1	PPOPA	See table
NO	Part name	Number	Material	Plating / Color

General Tolerance	Angle Tolerance
<0.5 ±0.10	±1°
0.5-6 ±0.15	Unless otherwise specified, dimensions are in metric and tolerances are
6-30 ±0.20	
30-120 ±0.30	
MATL: SEE-NOTES	

POWER DYNAMICS INC.
145 Algonquin Parkway, Whippany, NJ 07981
Phone: 1-973-560-0019 e-mail: sales@powerdynamics.com www.powerdynamics.com

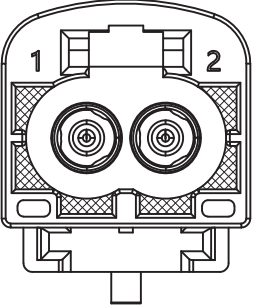
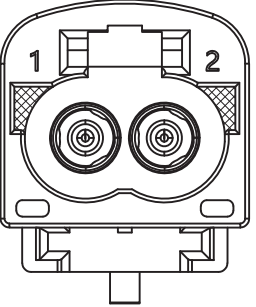
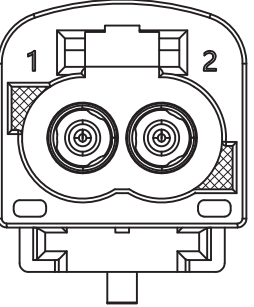
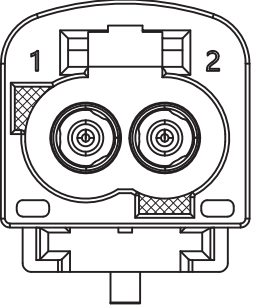
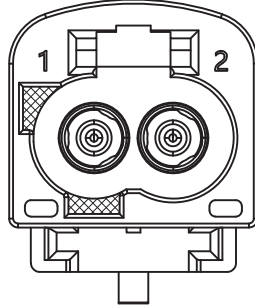
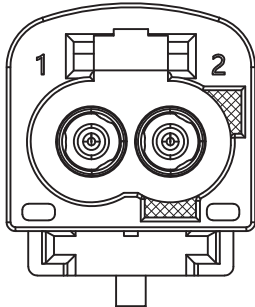
DESIGNER	LEo	TITLE:	2 pin Mini Fakra Plug
CHECKED	LEo	PARTS NO:	102x00006
APPROVAL	JJW	(UNIT): mm (SCALE): 1:1 (SHT): 1/2	

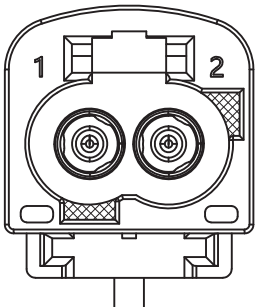
8 7 6 5 4 3 2 1

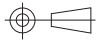
CUSTOMER-DRAWING

ECN NO.	REV	DATE	DESCRIPTION	MDF'D	APP'D
	A0	2022. 10. 21	Initial version	LEo	JJW

CODING TABLE

Plug						
Coding	Z	A	B	C	D	E
Color	water blue (5021)	Dark black (9005)	White (9010)	Signal Blue (5012)	Claret Violet (4004)	Green (6017)
Drawing No.	102Z00006	102A00006	102B00006	102C00006	102D00006	102E00006

Plug	
Coding	F
Color	Dark brown (8011)
Drawing No.	102F00006

General Tolerance		Angle Tolerance	POWER DYNAMICS INC.		
<0.5	±0.10	±1°	145 Algonquin Parkway, Whippany, NJ 07981		
0.5-6	±0.15		Phone: 1-973-560-0019	e-mail: sales@powerdynamics.com	www.powerdynamics.com
6-30	±0.20		DESIGNER: LEO		
30-120	±0.30		CHECKED: LEO		
MATL: SEE-NOTES		Unless otherwise specified, dimensions are in metric and tolerances are	TITLE: 2 pin Mini Fakra Plug		
CUSTOMER-DRAWING		APPROVAL: JJW	PARTS NO: 102x00006		
				(UNIT): mm	(SCALE): 1:1 (SHT): 2/2