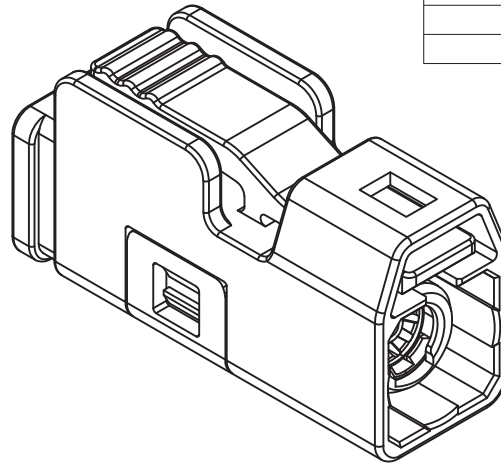


NOTES:

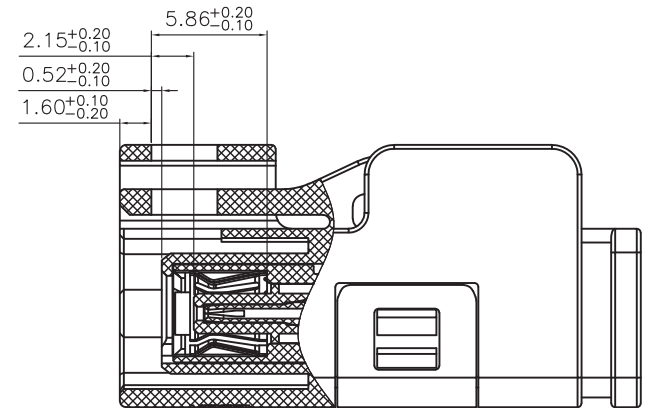
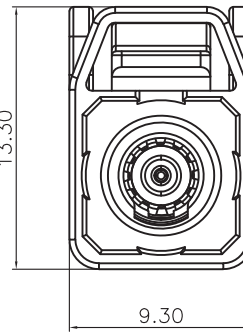
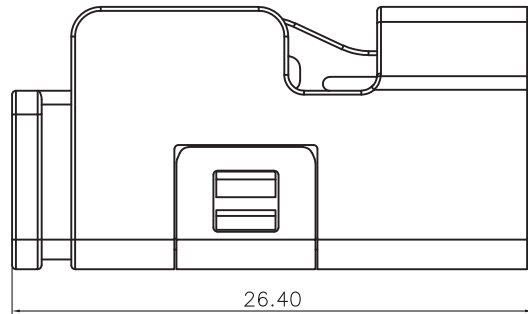
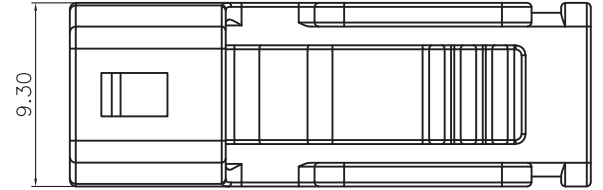
1. MATERIAL AND FINISHES (PLATING THICKNESS IN MICRIO-INCHES):
SEE THE FORM BELOW
2. ELECTRICAL:
 - A. IMPEDANCE: 50 OHM NOMIAL
 - B. FREQUENCY RANGE: DC-6 GHz
 - C. VSWR (RETURN LOSS): 25dB, DC to 3GHz
20dB, DC to 6GHz
 - D. D. W. V: 750 VRMS, MIN
 - E. CENTER CONTACT RESISTANCE: $\leq 24m\Omega$ (PER USCAR-17)
 - F. OUT CONDUCTOR RESISTANCE: $\leq 5m\Omega$ (PER USCAR-2)
3. MECHANICAL:
 - A. MATING CYCLES ≥ 25
 - B. ENGAGEMENT FORCE $\leq 25N$
 - C. DISENGAGEMENT FORCE $\geq 5N$
 - D. RETENTION FORCE LACTH $\geq 110N$
 - E. CODING EFFICIENCY $\geq 40N$
4. ENVIRIOMENTAL DATA:
 - A. TEMPERATURE RANGE: -40C TO +105C
 - B. THERMAL SHOCK: (PER USCAR-2)
 - C. TEMPERATURE AND HUMIDITY: (PER USCAR-2)
 - D. VIBERATION AND MECHANICAL SHOCK: (PER USCAR-2)
5. "▼" IMPORTANT SIZE
"★" SPECIAL CHARACTERISTIC

302*00001
CODING:
SEE TABLE

Mates with 302x00005 Series



3D VIEW



ECN NO.	REV	DATE	DESCRIPTION	MDF'D	APP'D
	A0	2022. 10. 21	Initial version	LEo	JJW

NO	Part name	Number	Material	Plating / Color
7	Crimp	1	C3602	Nickel 80u" Min
6	Beryllium copper ring	1	C17200	Nickel 100u" Min Su;100u"Min
5	Outer conductor	1	Zinc alloy	Nickel 100u" Min Su;100u"Min
4	Insulator	1	PPOPA	Signal green
3	Terminal	1	C5210	Nickel 80u" Min, Contact gold 3u"
2	Inner Stopper	1	PPOPA	Zinc yellow
1	Plastic Housing	1	PPOPA	See table

General Tolerance	Angle Tolerance
<0.5 ±0.10	±1°
0.5-6 ±0.15	Unless otherwise specified, dimensions are in metric and tolerances are
6-30 ±0.20	
30-120 ±0.30	
MATL: SEE-NOTES	

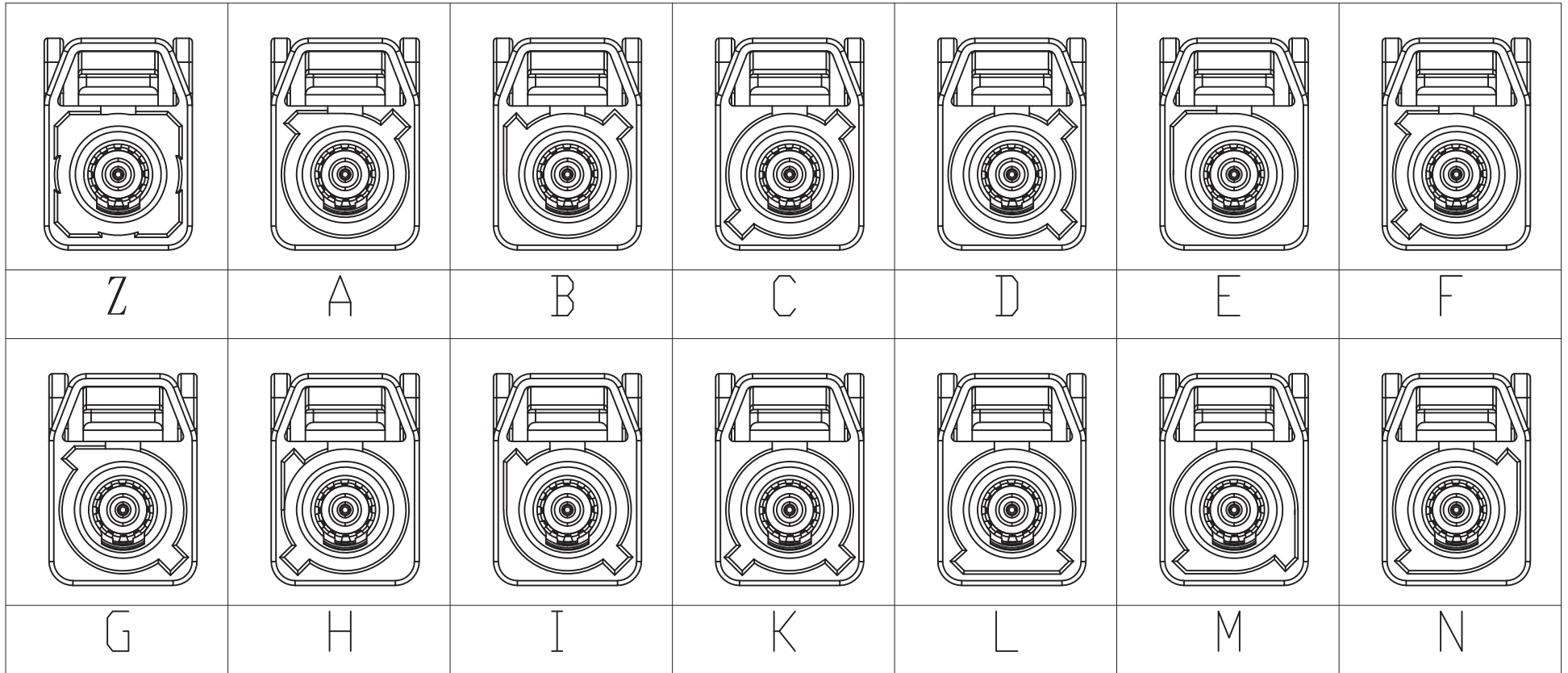
POWER DYNAMICS INC.
145 Algonquin Parkway, Whippany, NJ 07981
Phone: 1-973-560-0019 e-mail: sales@powerdynamics.com www.powerdynamics.com

DESIGNER	LEo	TITLE:	1pin Fakra Plug
CHECKED	LEo	PARTS NO:	302x00001
APPROVAL	JJW	(UNIT): mm (SCALE): 1:1 (SHT): 1/2	

CUSTOMER-DRAWING

CODING TABLE

ECN NO.	REV	DATE	DESCRIPTION	MDF'D	APP'D
	A0	2022. 10. 21	Initial version	LEo	JJW



Coding	Drawing No.	Color	Ral No.
Z	302Z00001	water blue	5021
A	302A00001	Dark black	9005
B	302B00001	cream white	9001
C	302C00001	signal blue	5005
D	302D00001	violet	4004
E	302E00001	leaf green	6002
F	302F00001	Dark brown	8011
G	302G00001	blue grey	7031
H	302H00001	purple	4003
I	302I00001	Beige	1001
K	302K00001	Curry	1027
L	302L00001	Carmine	3002
M	302M00001	Pastel orange	2003
N	302N00001	Pastel green	6019

General Tolerance		Angle Tolerance		POWER DYNAMICS INC. 145 Algonquin Parkway, Whippany, NJ 07981 Phone: 1-973-560-0019 e-mail: sales@powerdynamics.com www.powerdynamics.com		
<0.5	±0.10	±1°				
0.5-6	±0.15	Unless otherwise specified, dimensions are in metric and tolerances are		DESIGNER	LEo	TITLE: 1pin Fakra Plug
6-30	±0.20			CHECKED	LEo	PARTS NO: 302x00001
30-120	±0.30			APPROVAL	JJW	(UNIT): mm (SCALE):1:1 (SHT):2/2
MATL: SEE-NOTES				CUSTOMER-DRAWING		