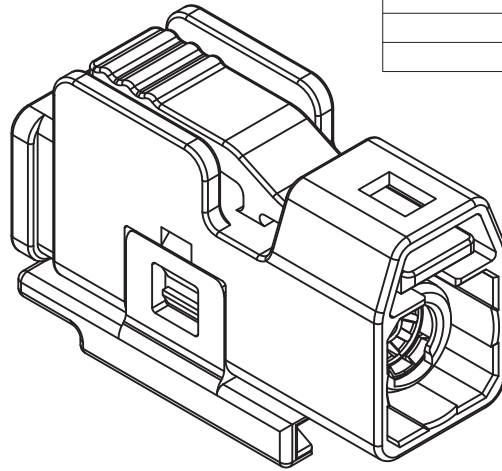


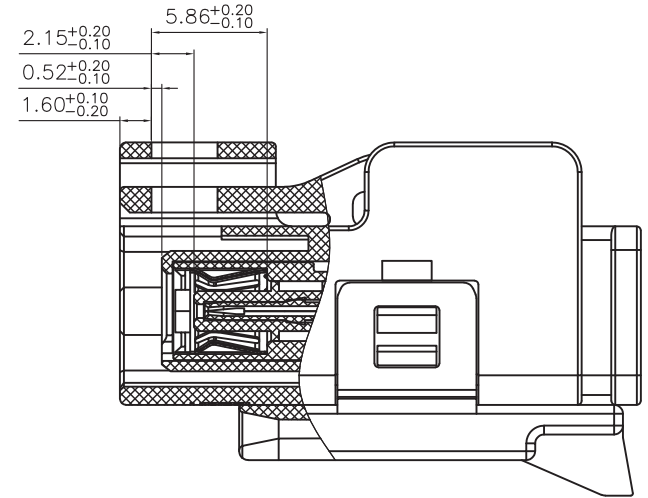
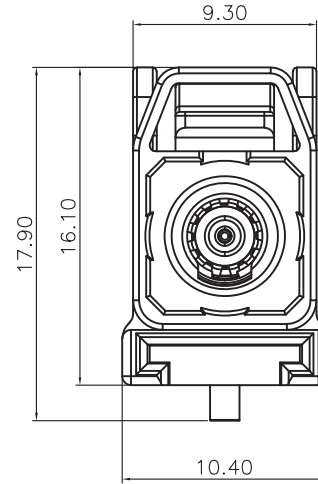
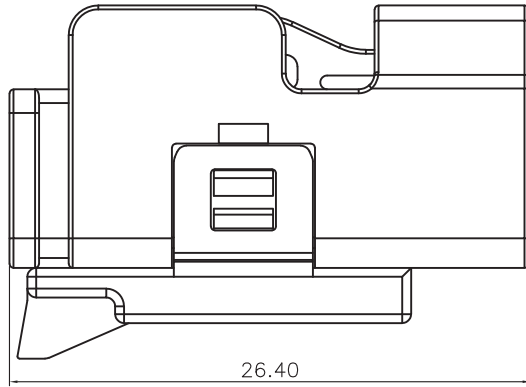
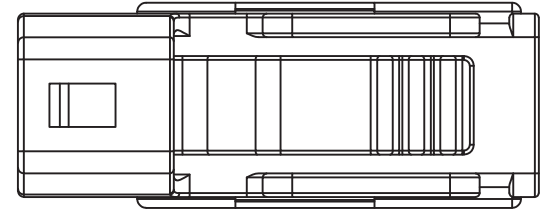
NOTES:

1. MATERIAL AND FINISHES (PLATING THICKNESS IN MICRIO-INCHES):
SEE THE FORM BELOW
2. ELECTRICAL:
 - A. IMPEDANCE: 50 OHM NOMIAL
 - B. FREQUENCY RANGE: DC-6 GHz
 - C. VSWR (RETURN LOSS): 25dB, DC to 3GHz
20dB, DC to 6GHz
 - D. D. W. V: 750 VRMS, MIN
 - E. CENTER CONTACT RESISTANCE: $\leq 24m\Omega$ (PER USCAR-17)
 - F. OUT CONDUCTOR RESISTANCE: $\leq 5m\Omega$ (PER USCAR-2)
3. MECHANICAL:
 - A. MATING CYCLES ≥ 25
 - B. ENGAGEMENT FORCE $\leq 25N$
 - C. DISENGAGEMENT FORCE $\geq 5N$
 - D. RETENTION FORCE LACTH $\geq 110N$
 - E. CODING EFFICIENCY $\geq 40N$
4. ENVIRIOMENTAL DATA:
 - A. TEMPERATURE RANGE: -40C TO +105C
 - B. THERMAL SHOCK: (PER USCAR-2)
 - C. TEMPERATURE AND HUIMIDITY: (PER USCAR-2)
 - D. VIBERATION AND MECHANICAL SHOCK: (PER USCAR-2)
5. "▼" IMPORTANT SIZE
"★" SPECIAL CHARACTERISTIC

ECN NO.	REV	DATE	DESCRIPTION	MDF'D	APP'D
	A0	2023-5-22	Initial version	LEo	JJW



3D VIEW



7	Crimp	1	C3602	Nickel 80u" Min
6	Beryllium copper ring	1	C17200	Nickel 100u" Min Su;100u"Min
5	Outer conductor	1	Zinc alloy	Nickel 100u" Min Su;100u"Min
4	Insulator	1	PPOPA	Signal green
3	Terminal	1	C5210	Nickel 80u" Min, Contact gold 3u"
2	Inner Stopper	1	PPOPA	Zinc yellow
1	Plastic Housing	1	PPOPA	See table
NO	Part name	Number	Material	Plating / Color

General Tolerance	Angle Tolerance
<0.5 ±0.10	±1°
0.5-6 ±0.15	Unless otherwise specified, dimensions are in metric and tolerances are
6-30 ±0.20	
30-120 ±0.30	
MATL: SEE-NOTES	

POWER DYNAMICS INC. 145 Algonquin Parkway, Whippany, NJ 07981 Phone: 1-973-560-0019 e-mail: sales@powerdynamics.com www.powerdynamics.com			
DESIGNER	LEo	TITLE: 1pin Fakra Plug Z Coding	
CHECKED	LEo	PARTS NO: 302Z00003	
APPROVAL	JJW		(UNIT): mm (SCALE): 1:1 (SHT): 1

CUSTOMER-DRAWING