

NOTES:

1. Electrical:

- A. Impedance: 50 Ω
- B. Frequency: DC to 6GHz
- C. Return loss:
 - ≥15.56dB, DC0-2GHz
 - ≥13.98dB, DC2-3GHz
 - ≥12.74dB, DC3-6GHz
- D. Insulation resistance: ≥1X10³ MΩ
- E. Center contact resistance : ≤15 mΩ
- F. Outer contact resistance : ≤5 mΩ
- G. Test voltage : 750 V rms
- H. Working voltage : 335 V rms
- I. Power current : ≤1 A DC

2. Mechanical:

- A. Mating cycles : ≥25
- B. Engagement force : ≤25 N
- C. Disengagement force : ≥2 N
- D. Retention force latch : ≥110 N
- E. Coding efficiency : ≥40 %

3. Environmental:

- A. Temperature range : -40° C to +105° C

4. WATER TIGHTNESS: IP68 & IPX9K

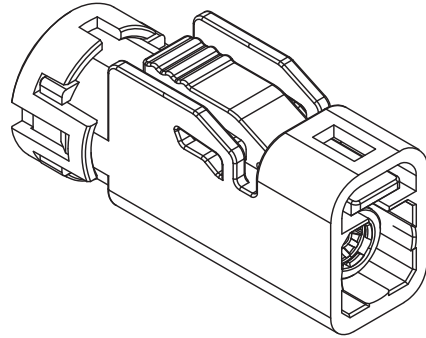
5. "▼"IMPORTANT SIZE

"★"SPECIAL CHARACTERISTIC

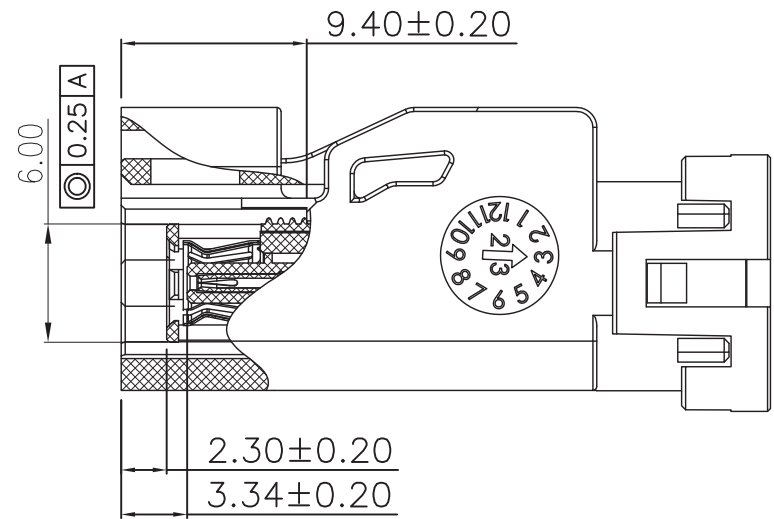
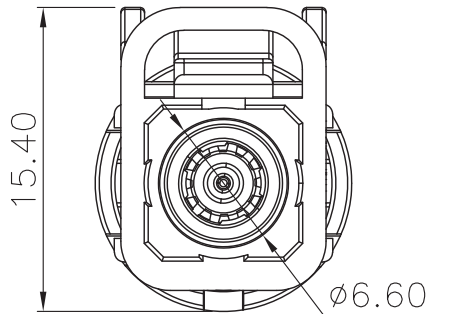
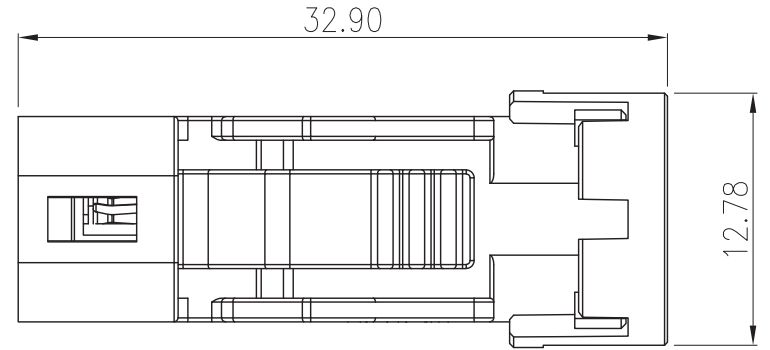
302x00112

CODING:
SEE TABLE SHEET 2

Mates with 302x00113 Series



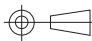
3D VIEW



| | | | | | |
|---------|-----|----------|-----------------|-------|-------|
| ECN NO. | REV | DATE | DESCRIPTION | MDF'D | APP'D |
| | A0 | 2022.7.3 | Initial version | LEo | JJW |
| | | | | | |

| | | | | |
|-----|------------------|--------|------------|---|
| 11 | Copper pipe | 1 | C3062 | Ni:80u" Min |
| 10 | Copper collar | 1 | C17200 | Ni:80u" Min Matte-tin:100u"Min |
| 9 | Contact | 1 | C5210R-EH | Ni:80u" Min Au:3u" Min |
| 8 | Insulator | 1 | MPPOPA | Natural |
| 7 | Rear seal ring 2 | 1 | Silica gel | Yellow green |
| 6 | Rear seal ring 1 | 1 | Silica gel | Yellow green |
| 5 | Front seal ring | 1 | Silica gel | Yellow green |
| 4 | CAP | 1 | PPE+PS | Zinc yellow |
| 3 | Plastic sleeve | 1 | PPE+PS | Black |
| 2 | Body | 1 | Zinc | Cu:400-600 u", Ni:100-180u", Sn:100-150u" |
| 1 | Housing | 1 | PPE+PS | See table |
| NO. | Part name | Number | Material | Plating / Color |

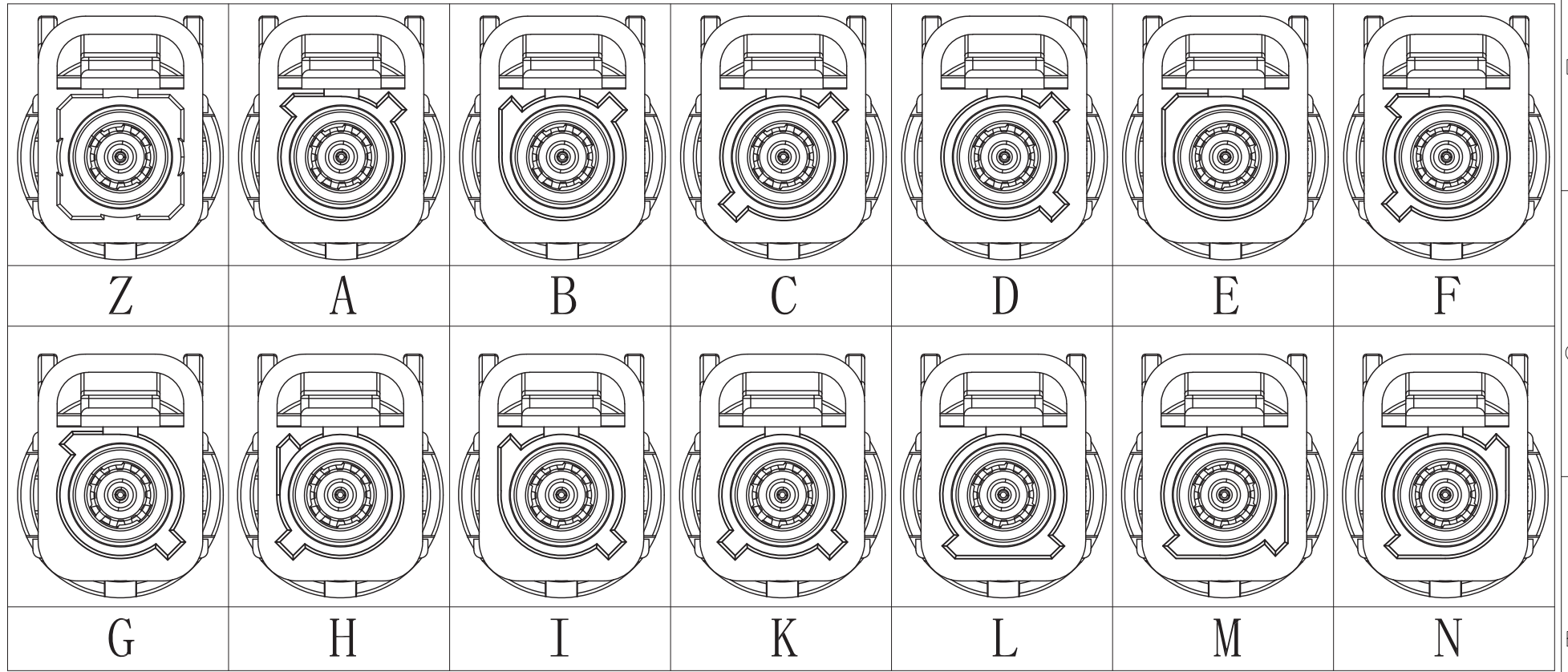
| | |
|-------------------|---|
| General Tolerance | Angle Tolerance |
| X ±0.5 | ±1° |
| .X ±0.2 | Unless otherwise specified, dimensions are in metric and tolerances are |
| .XX ±0.1 | |
| MATL: SEE-NOTES | |

| | | |
|---|-----|--|
| POWER DYNAMICS INC. | | |
| 145 Algonquin Parkway, Whippany, NJ 07981 | | |
| Phone: 1-973-560-0019 | | e-mail: sales@powerdynamics.com |
| www.powerdynamics.com | | |
| DESIGNER | LEo | TITLE: 1pin Fakra Jack Waterproof Plug |
| CHECKED | LEo | Parts No. : 302x00112 |
| APPROVAL | JJW |  (UNIT): mm (SCALE): 1:1 (SHT): 1/2 |

CUSTOMER-DRAWING

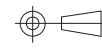
CODING TABLE

| | | | | | |
|---------|-----|----------|-----------------|-------|-------|
| ECN NO. | REV | DATE | DESCRIPTION | MDF'D | APP'D |
| | A0 | 2022.7.3 | Initial version | LEo | JJW |
| | | | | | |



| Coding | DRAWING NUMBER | Color | Ral NO. |
|--------|----------------|----------------|---------|
| Z | 302Z00112 | Water blue | 5021 |
| A | 302A00112 | Jet Black | 9005 |
| B | 302B00112 | Cream | 9001 |
| C | 302C00112 | Signal blue | 5005 |
| D | 302D00112 | Claret violet | 4004 |
| E | 302E00112 | leaf green | 6002 |
| F | 302F00112 | Nut brown | 8011 |
| G | 302G00112 | blue grey | 7031 |
| H | 302H00112 | Heather violet | 4003 |
| I | 302I00112 | Beige | 1001 |
| K | 302K00112 | Curry | 1027 |
| L | 302L00112 | Carmine red | 3002 |
| M | 302M00112 | Pastel orange | 2003 |
| N | 302N00112 | Pastel green | 6019 |

| | |
|-------------------|---|
| General Tolerance | Angle Tolerance |
| X ±0.5 | ±1° |
| .X ±0.2 | Unless otherwise specified, dimensions are in metric and tolerances are |
| .XX ±0.1 | |
| MATL: SEE-NOTES | |
| CUSTOMER-DRAWING | |

| | | |
|--|-----|--|
| POWER DYNAMICS INC. 145 Algonquin Parkway, Whippany, NJ 07981 Phone: 1-973-560-0019 e-mail: sales@powerdynamics.com www.powerdynamics.com | | |
| DESIGNER | LEo | TITLE: 1pin Fakra Jack Waterproof Plug |
| CHECKED | LEo | Parts No. : 302x00112 |
| APPROVAL | JJW |  (UNIT): mm (SCALE):1:1 (SHT):2/2 |