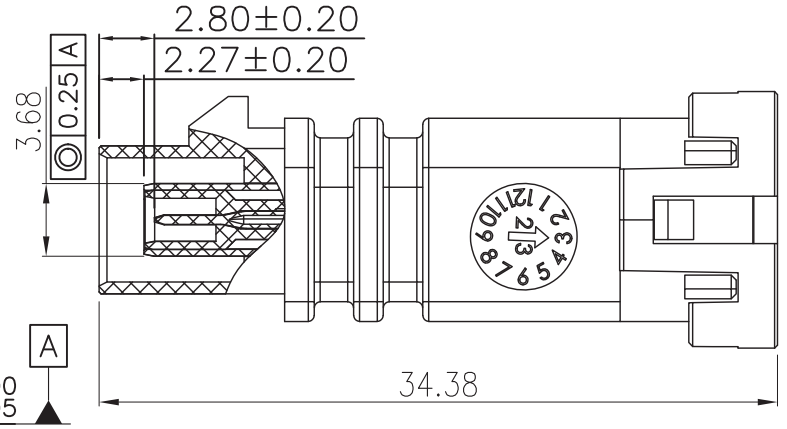
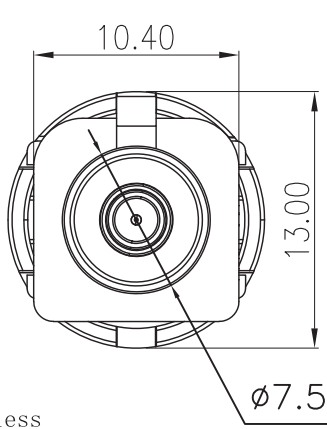
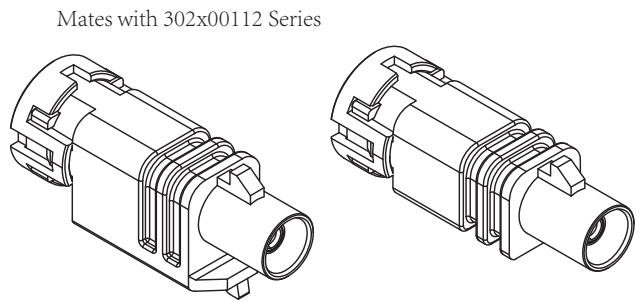
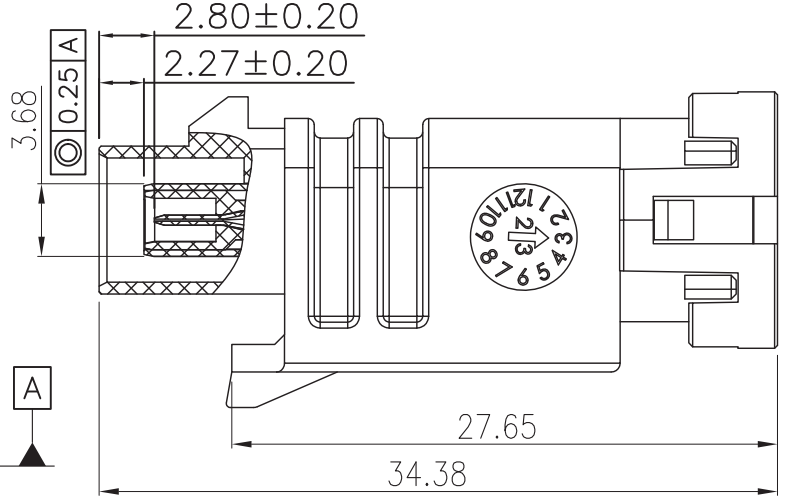
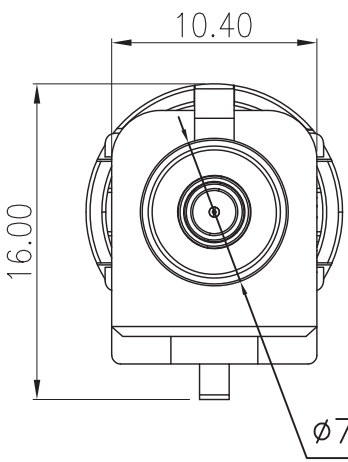


4	3	2	1
ECN NO.	REV	DATE	DESCRIPTION
	A0	2022.7.3	Initial version
			MDF'D
			LEo
			APP'D
			JJW

- NOTES:
- Electrical:
 - Impedance: 50 Ω
 - Frequency: DC to 6GHz
 - Return loss:
 - ≥15.56dB, DC0-2GHz
 - ≥13.98dB, DC2-3GHz
 - ≥12.74dB, DC3-6GHz
 - Insulation resistance: ≥1X10³ MΩ
 - Center contact resistance : ≤15 mΩ
 - Outer contact resistance : ≤5 mΩ
 - Test voltage : 750 V rms
 - Working voltage : 335 V rms
 - Power current : ≤1 A DC
 - Mechanical:
 - Mating cycles : ≥25
 - Engagement force : ≤25 N
 - Disengagement force : ≥2 N
 - Retention force latch : ≥110 N
 - Coding efficiency : ≥40 N
 - Environmental:
 - Temperature range : -40° C to +105° C
 - WATER TIGHTNESS: IP68 & IPX9K



lockless
with lock



with lock

lockless

3D VIEW

10	Copper pipe	1	C3062	Ni:80u" Min
9	Contact	1	C5210R-EH	Ni:80u" Min Au:3u" Min
8	Insulator	1	MPPOPA	Natural
7	Rear seal ring 2	1	Silica gel	Yellow green
6	Rear seal ring 1	1	Silica gel	Yellow green
5	Body	1	Zinc	Cu:400-600 u", Ni:100-180u", Sn:100-150u"
4	CAP	1	PPE+PS	Zinc yellow
3	Plastic sleeve	1	PPE+PS	Black
2	with lock Housing	1	PPE+PS	See table
1	lockless Housing	1	PPE+PS	See table
NO.	Part name	Number	Material	Plating / Color

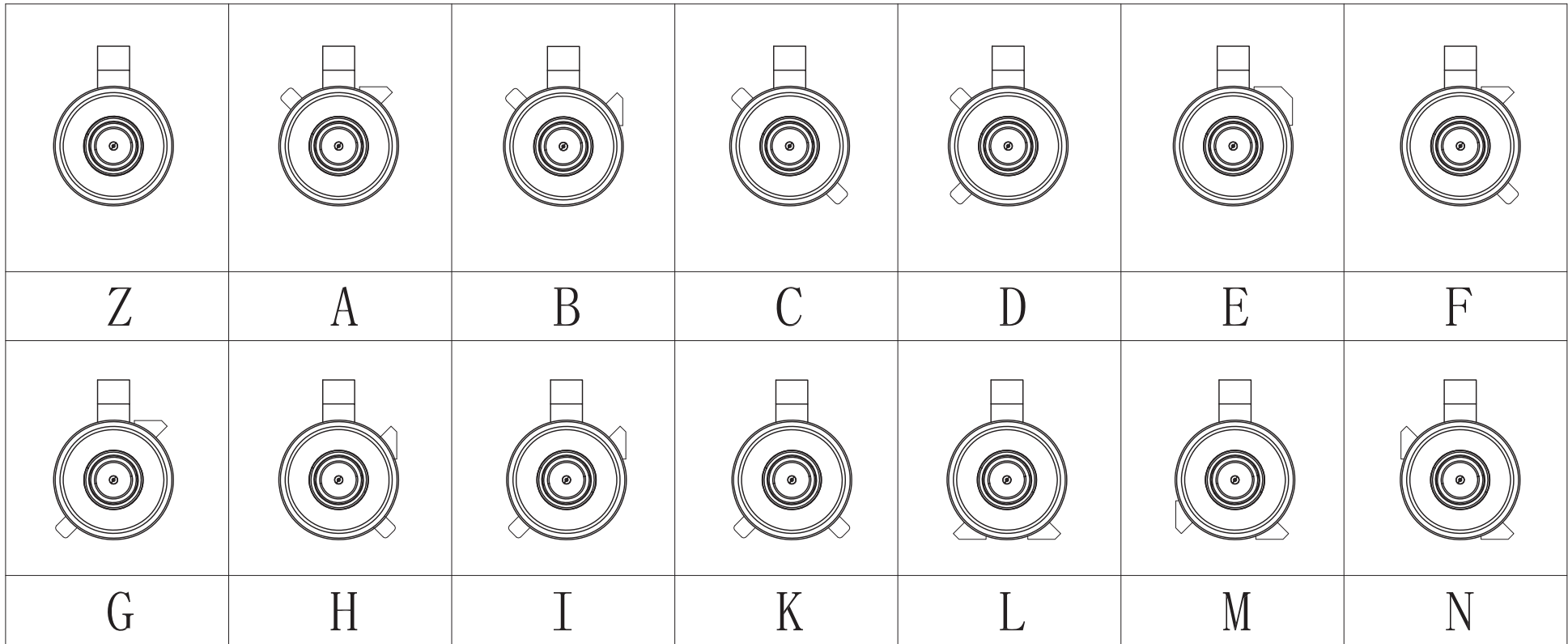
General Tolerance	Angle Tolerance
X ±0.5	±1°
.X ±0.2	Unless otherwise specified, dimensions are in metric and tolerances are
.XX ±0.1	
MATL: SEE-NOTES	

POWER DYNAMICS INC.			
145 Algonquin Parkway, Whippany, NJ 07981			
Phone: 1-973-560-0019		e-mail: sales@powerdynamics.com	
www.powerdynamics.com			
DESIGNER	LEo	TITLE: 1pin Fakra Plug Waterproof Jack	
CHECKED	LEo	SERIES: 302x00113x	
APPROVAL	JJW		(UNIT): mm (SCALE): 1:1 (SHT): 1/2

CUSTOMER-DRAWING

CODING TABLE

ECN NO.	REV	DATE	DESCRIPTION	MDF'D	APP'D
	A0	2022.7.3	Initial version	LEo	JJW



Coding	Lockless	with lock	Color	Ral NO.
A	302A00113	302A00113L	Jet Black	9005
B	302B00113	302B00113L	Cream	9001
C	302C00113	302C00113L	Signal blue	5005
D	302D00113	302D00113L	Claret violet	4004
E	302E00113	302E00113L	leaf green	6002
F	302F00113	302F00113L	Nut brown	8011
G	302G00113	302G00113L	blue grey	7031
H	302H00113	302H00113L	Heather violet	4003
I	302I00113	302I00113L	Beige	1001
K	302K00113	302K00113L	Curry	1027
L	302L00113	302L00113L	Carminie red	3002
M	302M00113	302M00113L	Pastel orange	2003
N	302N00113	302N00113L	Pastel green	6019
Z	302Z00113	302Z00113L	Water blue	5021

General Tolerance	Angle Tolerance
X ±0.5	±1°
.X ±0.2	Unless otherwise specified, dimensions are in metric and tolerances are
.XX ±0.1	
MATL: SEE-NOTES	
CUSTOMER-DRAWING	

POWER DYNAMICS INC.			
145 Algonquin Parkway, Whippany, NJ 07981			
Phone: 1-973-560-0019		e-mail: sales@powerdynamics.com www.powerdynamics.com	
DESIGNER	LEo	TITLE: 1pin Fakra Plug Waterproof Jack	
CHECKED	LEo	SERIES: 302x00113x	
APPROVAL	JJW		(UNIT): mm (SCALE): 1:1 (SHT): 2/2