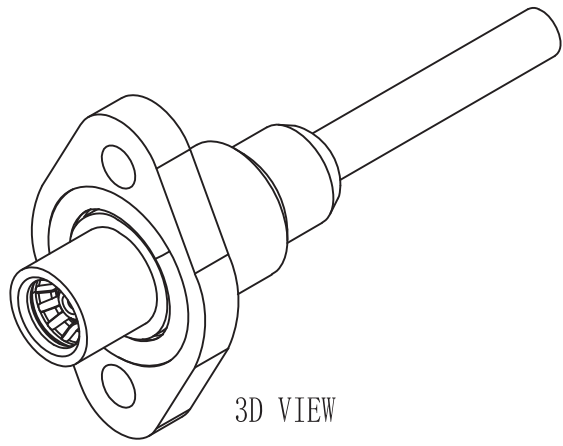
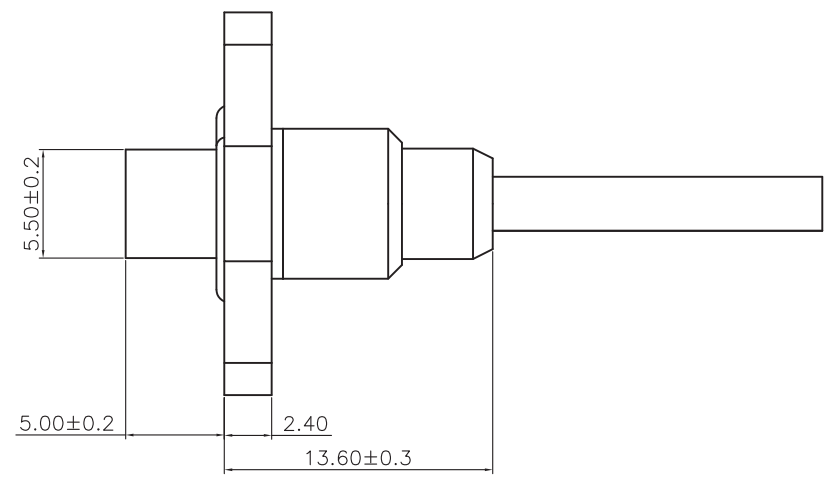
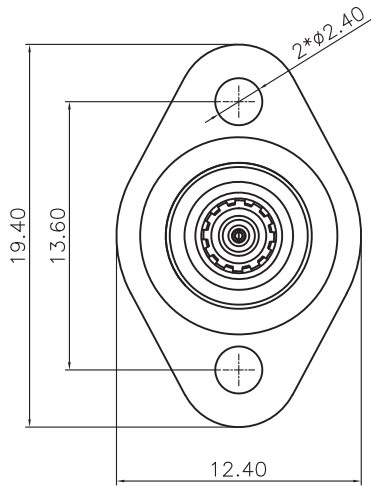
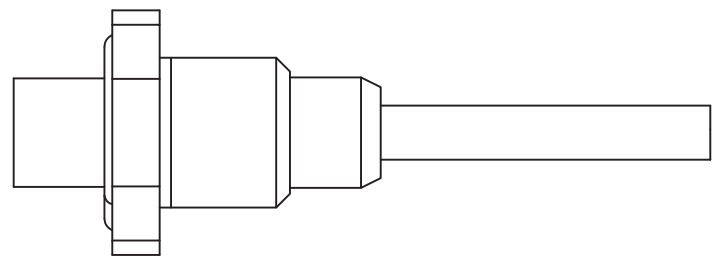


- NOTES:
- MATERIAL AND FINISHES(PLATING THICKNESS IN MICRIO-INCHES):  
SEE THE FORM BELOW
  - ELECTRICAL:
    - IMPEDANCE: 50 OHM NOMIAL
    - FREQUENCY RANGE: DC-6 GHz
    - VSWR(RETURN LOSS):25dB,DC to 3GHz  
20dB,DC t0 6GHz
    - D. W. V: 750 VRMS, MIN
    - CENTER CONTACT REISTANCE:  $\leq 24m\Omega$  (PER USCAR-17)
    - OUT CONDUCTOR RESISTANCE:  $\leq 5m\Omega$  (PER USCAR-2)
  - MECHANICAL:
    - MATING CYCLES  $\geq 25$
    - ENGAGEMENT FORCE  $\leq 25N$
    - DISENGAGEMENT FORCE  $\geq 5N$
  - ENVIRIOMENTAL DATA:
    - TEMPERATURE RANGE: -40C TO +105C
    - THERMAL SHOCK : (PER USCAR-2)
    - TEMPERATURE AND HUIMIDITY: (PER USCAR-2)
    - VIBERATION AND MECHANICAL SHOCK: (PER USCAR-2)
  - "▼"IMPORTANT SIZE  
"★"SPECIAL CHARACTERISTIC

8	7	6	5	4	3	2	1		
				ECN NO.	REV	DATE	DESCRIPTION	MDF'D	APP'D
					A0	2022.7.3	Initial version	LEo	JJW



3D VIEW



8	Plastic Housing	1	PC	Black
7	Seal ring	3	silica gel	Redness
6	Crimp	1	C3602	Nickel 100u" Min
5	Front copper pipe	1	C3602	Nickel 100u" Min
4	Terminal	1	C17300	Nickel 30u" Min, Contact gold 5u"
3	Insulator	1	PPOPA	Signal green
2	Beryllium copper ring	1	C17200	Nickel 100u" Min Su;100u"Min
1	Outer conductor	1	Zinc alloy	Nickel 100u" Min
NO	Part name	Number	Material	Plating / Color

General Tolerance	Angle Tolerance
X ±0.5	±1°
.X ±0.2	Unless otherwise specified, dimensions are in metric and tolerances are
.XX ±0.1	
MATL: SEE-NOTES	

<b>POWER DYNAMICS INC.</b> 145 Algonquin Parkway, Whippany, NJ 07981 Phone: 1-973-560-0019    e-mail: sales@powerdynamics.com    www.powerdynamics.com				
DESIGNER	LEo	TITLE: 1 pin SMB Waterproof		
CHECKED	LEo	PARTS NO: 602000001		
APPROVAL	JJW		(UNIT): mm	(SCALE): 1:1 (SHT): 1/1

CUSTOMER-DRAWING