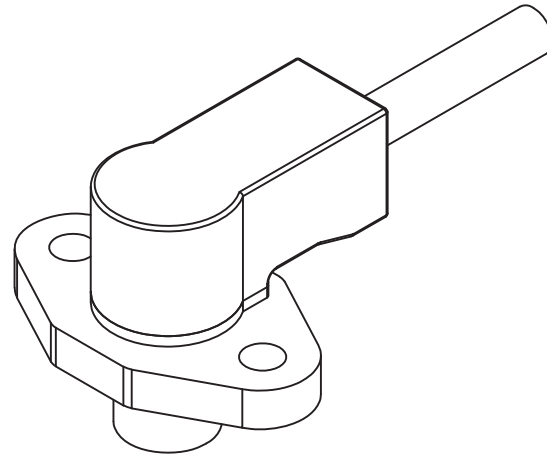
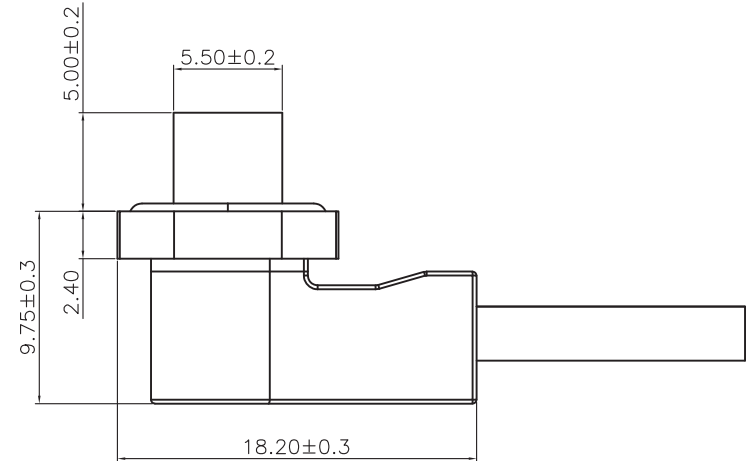
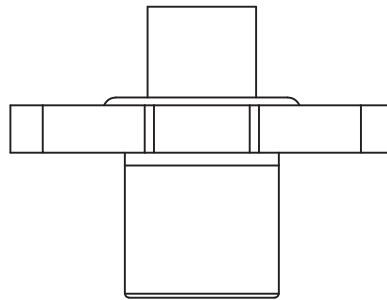
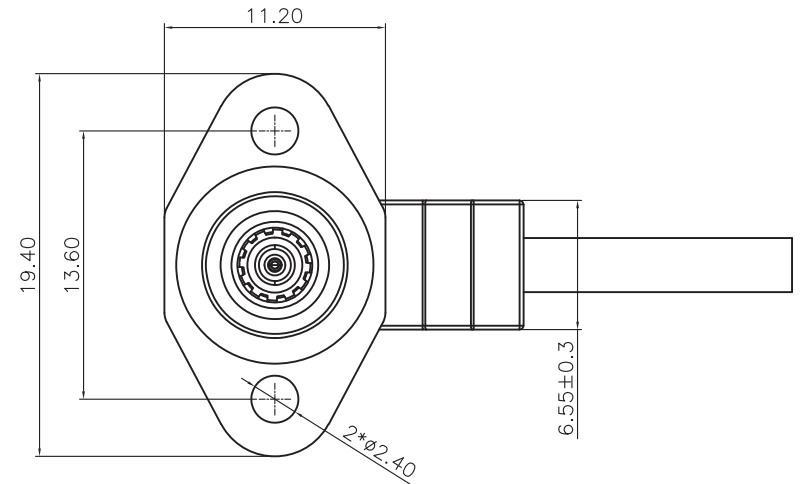


- NOTES:
- MATERIAL AND FINISHES(PLATING THICKNESS IN MICR10-INCHES):
SEE THE FORM BELOW
 - ELECTRICAL:
 - IMPEDANCE: 50 OHM NOMIAL
 - FREQUENCY RANGE: DC-6 GHz
 - VSWR(RETURN LOSS):25dB,DC to 3GHz
20dB,DC tO 6GHz
 - D. W. V: 750 VRMS, MIN
 - CENTER CONTACT REISTANCE: $\leq 24m\Omega$ (PER USCAR-17)
 - OUT CONDUCTOR RESISTANCE: $\leq 5m\Omega$ (PER USCAR-2)
 - MECHANICAL:
 - MATING CYCLES ≥ 25
 - ENGAGEMENT FORCE $\leq 25N$
 - DISENGAGEMENT FORCE $\geq 5N$
 - ENVIRIOMENTAL DATA:
 - TEMPERATURE RANGE: -40C TO +105C
 - THERMAL SHOCK : (PER USCAR-2)
 - TEMPERATURE AND HUIMIDITY: (PER USCAR-2)
 - VIBERATION AND MECHANICAL SHOCK: (PER USCAR-2)
 - "▼"IMPORTANT SIZE
"★"SPECIAL CHARACTERISTIC



3D VIEW

ECN NO.	REV	DATE	DESCRIPTION	MDF'D	APP'D
	A0	2022.7.3	Initial version	LEo	JJW



8	Plastic Housing	1	PC	Black
7	Seal ring	3	silica gel	Redness
6	Crimp	1	C3602	Nickel 100u" Min
5	Front copper pipe	1	C3602	Nickel 100u" Min
4	Terminal	1	C17300	Nickel 30u" Min, Contact gold 5u"
3	Insulator	1	PPOPA	Signal green
2	Beryllium copper ring	1	C17200	Nickel 100u" Min Su;100u"Min
1	Outer conductor	1	Zinc alloy	Nickel 100u" Min
NO	Part name	Number	Material	Plating / Color

General Tolerance	Angle Tolerance
X ±0.5	±1°
.X ±0.2	Unless otherwise specified, dimensions are in metric and tolerances are
.XX ±0.1	
MATL: SEE-NOTES	

POWER DYNAMICS INC.				
145 Algonquin Parkway, Whippany, NJ 07981				
Phone: 1-973-560-0019		e-mail: sales@powerdynamics.com www.powerdynamics.com		
DESIGNER	LEo	TITLE: 1 pin SMB R/A Waterproof		
CHECKED	LEo	PARTS NO: 602000002		
APPROVAL	JJW		(UNIT): mm	(SCALE): 1:1 (SHT): 1/1

CUSTOMER-DRAWING