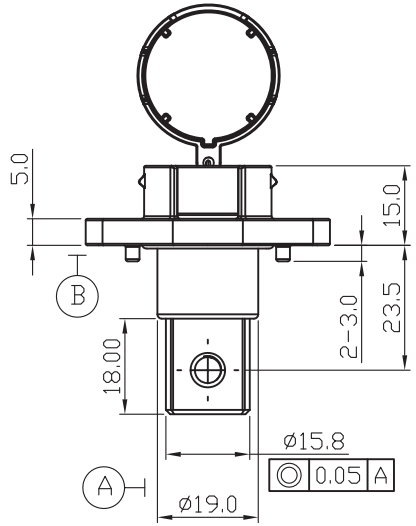
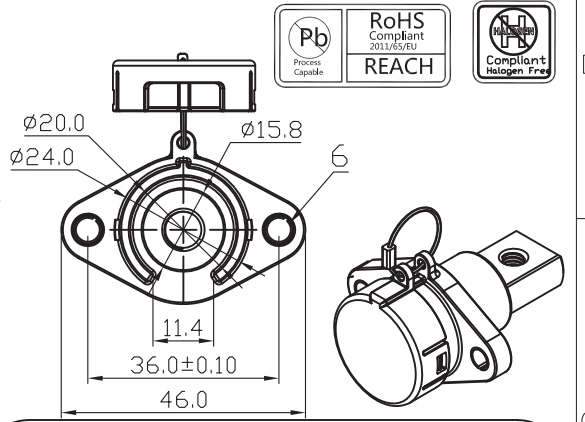
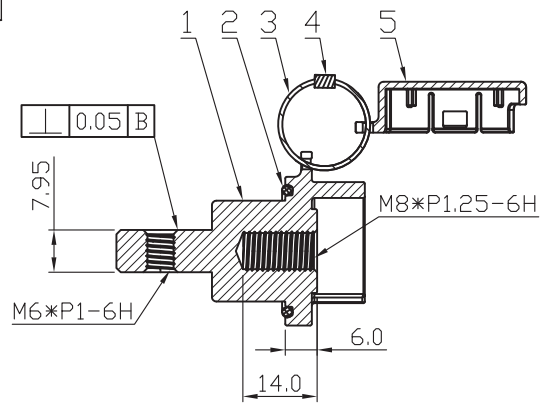
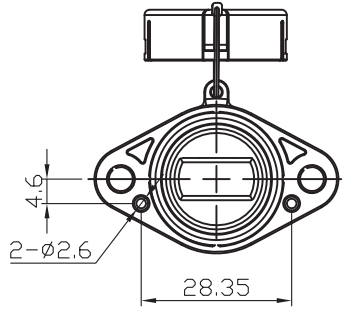
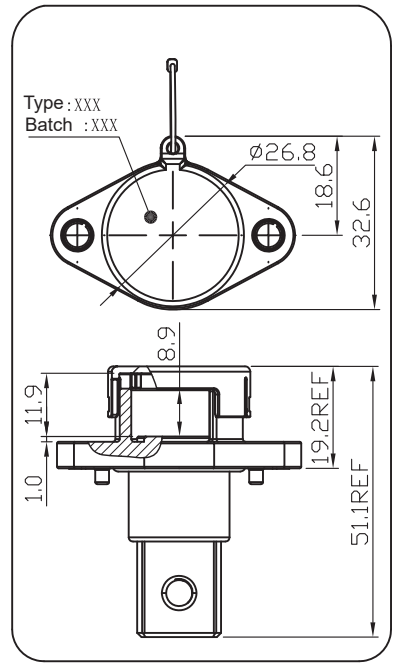
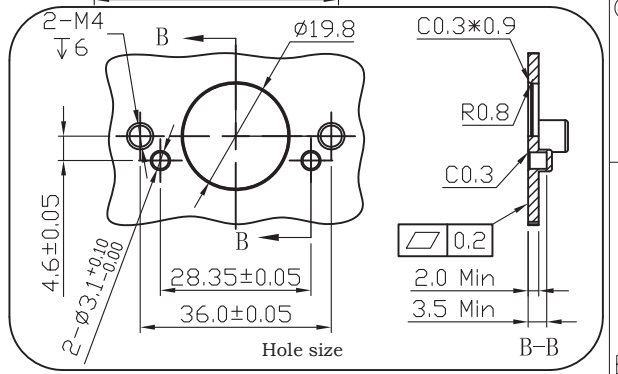


Customer selection					
No.	Specification	Part No.	Material No.	Color	1.plastic body 5. top cover
1	L001-01S1-70	A1-L001P001	04-HV0100-B00-001	Black	B1L001002 13L00101
2	L001-01S11-70	A1-L001P002	04-HV0100-R00-001	Red RAL3004	B1L001001 13L00102

ECN NO.	REV	DATE	DESCRIPTION	MDF'D	APP'D
	A0	2022.7.3	Initial version	ZsH	Qilin



Coding rules for laser lettering  
 L001-01S1-70 21G15  
 Part No.  
 year: 2021  
 month: A-1, B-2M,  
 Push in this way G is July  
 day: date of manufacture 15



Technical requirements:

- Material:
  - Contact: a. Power terminal: copper alloy / silver plated 3-6um;
  - Shell: synthetic resin flame retardant grade UL94 V-0
  - Waterproof part: silicone rubber
  - Machining of upper cover and base connecting steel wire rope  $\phi$  15mm REF
  - Rated voltage: 1000V DC
  - Rated current: 250A MAX (normal state)
  - Withstand voltage: 3000V AC (1min), leakage current < 5mA
  - Insulation resistance: > 2000M  $\Omega$  (normal state)
  - Working temperature: - 40 C ~ + 125 C
  - Recommended installation torque:
  - M6: 6-8N. m (recommended effective fitting screw length 6-8mm)
  - M8: 14-25N. m (recommended effective fitting screw length 8-12mm)
  - Waterproof grade: IP67/IPX9 (matching state)
  - The product meets 100% air tightness testing
  - Salt spray test: 96H passed
  - The product meets environmental RoHS requirements.

6	26L001C0	M4 Steel ring L001 series	2
5	SEE LIST	Top cover L001 series	1
4	W013002	3*5 line ball	1
3	B08-TJ50-001	0.8 Outer diameter steel wire rope	0.08m
2	31L00100	Oring (21*2)	1
1	B1L001002	Plastic body	1
NO	SN	Part Name	number

General Tolerance	Angle Tolerance
X $\pm 0.5$	$\pm 1^\circ$
.X $\pm 0.2$	Unless otherwise specified, dimensions are in metric and tolerances are
.XX $\pm 0.1$	
MATL: SEE-NOTES	
CUSTOMER-DRAWING	

POWER DYNAMICS INC.			
145 Algonquin Parkway, Whippany, NJ 07981			
Phone: 1-973-560-0019		e-mail: sales@powerdynamics.com www.powerdynamics.com	
DESIGNER	ZsH	TITLE: L001 High Voltage Metal Connector	
CHECKED	ZsH	PARTS NO: A1-L001P00X	
APPROVAL	Qilin	(UNIT): mm	(SCALE): 1:1 (SHT): 1/1