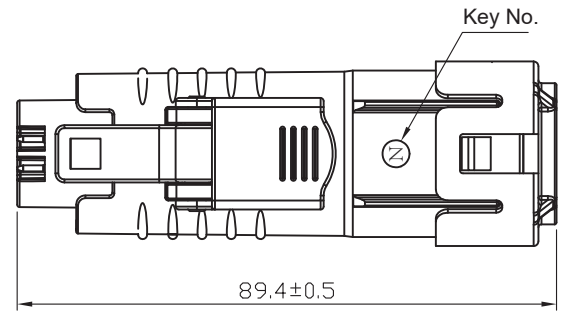
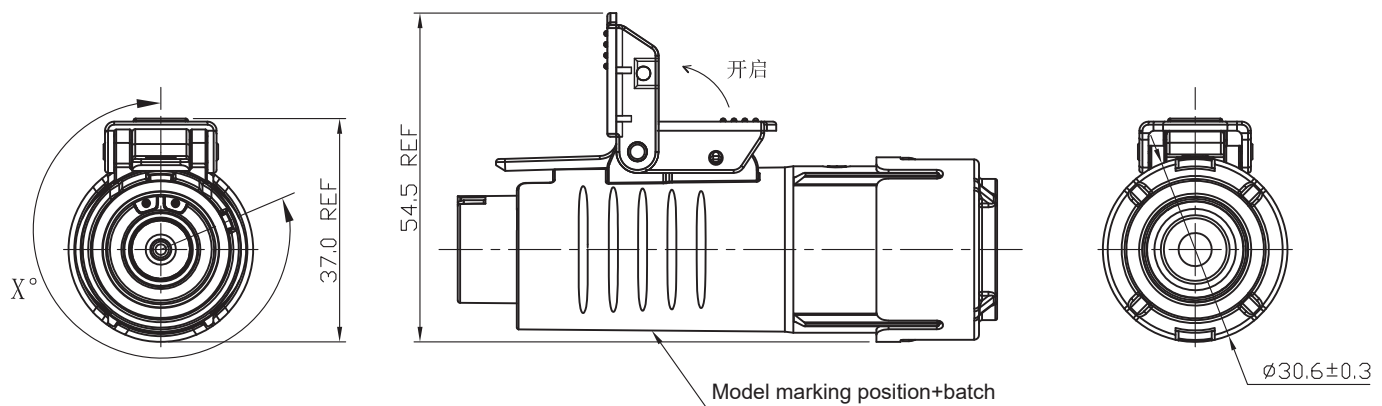


| Customer selection |                 |             |             |  |
|--------------------|-----------------|-------------|-------------|--|
| No.                | Specification   | Part No.    | Key No / X° | Backup   |
| 1                  | L002-01PY1-70N  | A1-L002P001 | N 192°      | Cable outer diameter:<br>19.5±0.3mm<br>Adaptor diameter:<br>70mm |
| 2                  | L002-01PY1-70W  | A1-L002P002 | W 65°       |  |
| 3                  | L002-01PY1-70X  | A1-L002P003 | X 105°      |  |
| 4                  | L002-01PY1-70Y  | A1-L002P004 | Y 152°      |  |
| 5                  | L002-01PY1-70Z  | A1-L002P005 | Z 245°      |  |
| 6                  | L002-01PY1-70P  | A1-L002P006 | P 293°      |  |
| 7                  | L002-01PY1-50N  | A1-L002P007 | N 192°      | Cable outer diameter:<br>16.8±0.3mm<br>Adaptor diameter:<br>50mm |
| 8                  | L002-01PY1-50W  | A1-L002P008 | W 65°       |  |
| 9                  | L002-01PY1-50X  | A1-L002P009 | X 105°      |  |
| 10                 | L002-01PY1-50Y  | A1-L002P010 | Y 152°      | Cable outer diameter:<br>17.6±0.3mm<br>Adaptor diameter:<br>70mm |
| 11                 | L002-01PY1-50Z  | A1-L002P011 | Z 245°      |  |
| 12                 | L002-01PY1-50P  | A1-L002P012 | P 293°      |  |
| 13                 | L002-01PY1-701N | A1-L002P013 | N 192°      |  |
| 14                 | L002-01PY1-701W | A1-L002P014 | W 65°       |  |
| 15                 | L002-01PY1-701X | A1-L002P015 | X 105°      |  |
| 16                 | L002-01PY1-701Y | A1-L002P016 | Y 152°      | Cable outer diameter:<br>15.6±0.3mm<br>Adaptor diameter:<br>50mm |
| 17                 | L002-01PY1-701Z | A1-L002P017 | Z 245°      |  |
| 18                 | L002-01PY1-701P | A1-L002P018 | P 293°      |  |
| 19                 | L002-01PY1-501N | A1-L002P019 | N 192°      |  |
| 20                 | L002-01PY1-501W | A1-L002P020 | W 65°       |  |
| 21                 | L002-01PY1-501X | A1-L002P021 | X 105°      |  |
| 22                 | L002-01PY1-501Y | A1-L002P022 | Y 152°      |  |
| 23                 | L002-01PY1-501Z | A1-L002P023 | Z 245°      |  |
| 24                 | L002-01PY1-501P | A1-L002P024 | P 293°      |  |

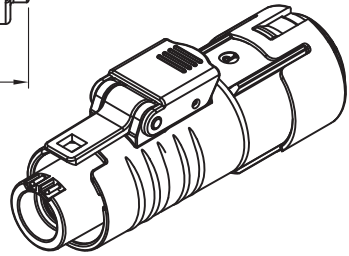


| ECN NO. | REV | DATE     | DESCRIPTION     | MDF'D | APP'D |
|---------|-----|----------|-----------------|-------|-------|
|         | A0  | 2022.7.3 | Initial version | ZsH   | Qilin |



Coding rules for laser lettering  
L002-01PY1-70X 21G15

Part No.  
year: 2021  
month: A-1, B-2M,  
Push in this way G is July  
day:date of manufacture 15



Technical requirements:

- Material:
  - Power terminal: T2 red copper/silver plated;
  - Signal terminal: H62 brass/gold-plated
- Shell: 3 # zinc alloy;
- Insulator: PA66 nylon material, flame retardant grade UL94-V0;
- Waterproof parts: NE-1340 silicone rubber;
- Rated voltage: 1000V DC;
- Rated current: 250A max
- Withstand voltage: 3000V AC
- Insulation resistance:>2000m Ω (normal)
- Working temperature: - 40 C~+125 C;
- Mechanical life:>200 times
- Insertion force:<70N
- Waterproof grade: IP67/IPX9 (matching status)
- Shielding function: 360 ° shielding
- With high voltage interlock or not: Yes
- The product meets the ROHS requirements for environmental protection.

| 15  | See page 2        | seal ring                 | 1   |        |
|-----|-------------------|---------------------------|-----|--------|
| 14  | See page 2        | Inner shield ring         | 1   |        |
| 13  | See page 2        | Outer shield ring         | 1   |        |
| 12  | 22L00200          | Shield gear sleeve        | 1   |        |
| 11  | See page 2        | Afterbody Cover           | 1   |        |
| 10  | X01-P01-T10SN-007 | 10mm Jack External claw   | 1   |        |
| 9   | See page 2        | 10mm Jack terminal        | 1   |        |
| 8   | See page 2        | Plug housing              | 1   |        |
| 7   | 12L00202          | Plug rear mounting plate  | 1   |        |
| 6   | 24L00200          | Rand                      | 1   |        |
| 5   | 13XXC10702        | Cover                     | 1   |        |
| 4   | W001014           | Spring                    | 1   |        |
| 3   | 26XXC10701        | track spike               | 1   |        |
| 2   | 26XXC10702        | blind flange              | 1   |        |
| 1   | B1L00200          | Plug front mounting plate | 1   |        |
| No. | PN                | Part name                 | Num | Backup |

| General Tolerance | Angle Tolerance   |
|-------------------|---|
| X ±0.5            | ±1°   |
| .X ±0.2           | Unless otherwise specified, dimensions are in metric and tolerances are |
| .XX ±0.1          |   |
| MATL: SEE-NOTES   |   |
| CUSTOMER-DRAWING  |   |

| POWER DYNAMICS INC.                       |       |   |                                   |
|---|-------|---|-----------------------------------|
| 145 Algonquin Parkway, Whippany, NJ 07981 |       |   |                                   |
| Phone: 1-973-560-0019                     |       | e-mail: sales@powerdynamics.com www.powerdynamics.com |                                   |
| DESIGNER                                  | ZsH   | TITLE:  | L002 High Voltage Metal Connector |
| CHECKED                                   | ZsH   | PARTS NO:   | A1-L002P0XX (Plug)                |
| APPROVAL                                  | Qilin | (UNIT): mm  | (SCALE): 1:1 (SHT): 1/2           |



|         |     |          |                 |       |       |
|---------|-----|----------|-----------------|-------|-------|
| ECN NO. | REV | DATE     | DESCRIPTION     | MDF'D | APP'D |
|         | A0  | 2022.7.3 | Initial version | ZsH   | Qilin |
|         |     |          |                 |       |       |

Plug housing<sub>1</sub>

| 8. Shell No | Key No. | 8. Shell No | Key No. |
|-------------|---------|-------------|---------|
| 21L00200    | N       | 21L00203    | Y       |
| 21L00201    | W       | 21L00204    | Z       |
| 21L00202    | X       | 21L00205    | P       |

10mm Jack terminal

| 9. 10mm socket | φ A  | φ B  |                             |
|----------------|------|------|-----------------------------|
| B1L002005      | 13.5 | 10.4 | use 50mm <sup>2</sup> Cable |
| B1L002006      | 15.9 | 12.1 | use 70mm <sup>2</sup> Cable |

Afterbody Cover

| 11. afterbody | size A |                             |
|---------------|--------|-----------------------------|
| 12L00201      | 17.6   | use 50mm <sup>2</sup> Cable |
| 12L00200      | 20.4   | use 70mm <sup>2</sup> Cable |

Outer shield ring

| 13.      | φ A  | φ B  | size C |   |
|----------|------|------|--------|---|
| 23L00202 | 22.2 | 20.4 | 9.5    | use 50mm <sup>2</sup> Cable               |
| 23L00201 | 24.7 | 22.5 | 10.4   | use 70mm <sup>2</sup> Cable<br>(19.5±0.3) |
| 23L00212 | 22.8 | 20.8 | 10.4   | use 70mm <sup>2</sup> Cable<br>(17.6±0.3) |

Inner shield ring

| 14.      | size A | φ B  | φ C  |          |
|----------|--------|------|------|----------|
| 23L00204 | 10.5   | 16.2 | 19.2 | 15.6±0.3 |
| 23L00210 | 9      | 17.2 | 19.2 | 16.8±0.3 |
| 23L00209 | 8.5    | 18.2 | 20   | 17.6±0.3 |
| 23L00203 | 10.0   | 19.8 | 21.5 | 19.5±0.3 |

seal ring

| 15.      | φ A |          |   |
|----------|-----|----------|---|
| 34L00201 | 14  | 15.6±0.3 | J |
| 34L00203 | 15  | 16.8±0.3 | M |
| 34L00202 | 16  | 17.6±0.3 | A |
| 34L00200 | 18  | 19.5±0.3 | L |

|                   |   |  |       |                                    |
|-------------------|---|--|-------|------------------------------------|
| General Tolerance | Angle Tolerance   | <b>POWER DYNAMICS INC.</b><br>145 Algonquin Parkway, Whippany, NJ 07981<br>Phone: 1-973-560-0019    e-mail: sales@powerdynamics.com    www.powerdynamics.com |       |                                    |
|                   |   |  |       |                                    |
| X ±0.5            | ±1°   | CHECKED  | ZsH   | PARTS NO: A1-L002P0XX (Plug)       |
| .X ±0.2           |   | APPROVAL   | Qilin | (UNIT): mm (SCALE): 1:1 (SHT): 2/2 |
| .XX ±0.1          |   |  |       |                                    |
| MATL: SEE-NOTES   | Unless otherwise specified, dimensions are in metric and tolerances are |  |       |                                    |
| CUSTOMER-DRAWING  |   |  |       |                                    |