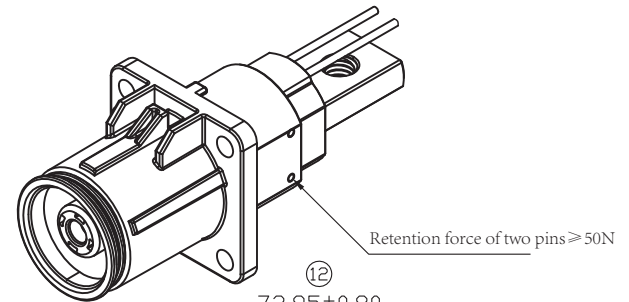
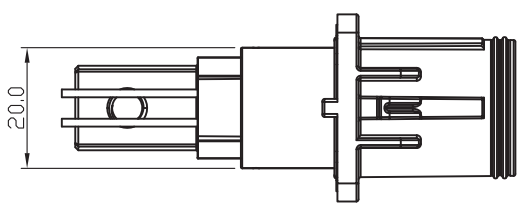
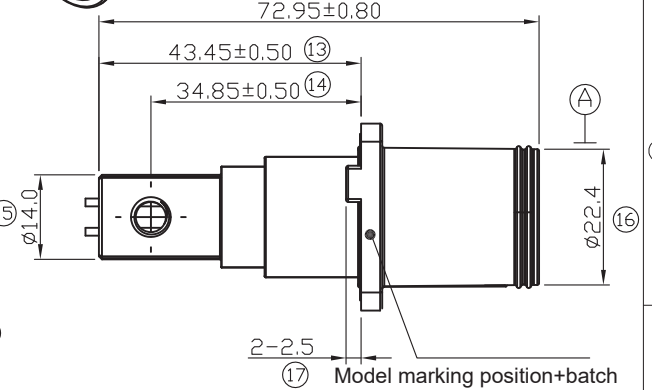
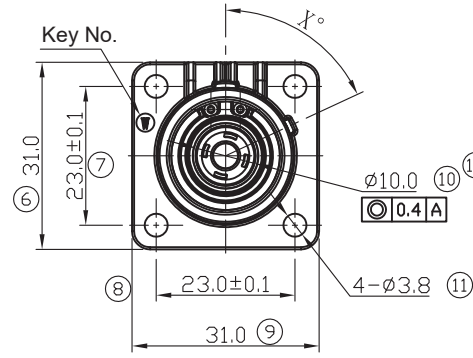
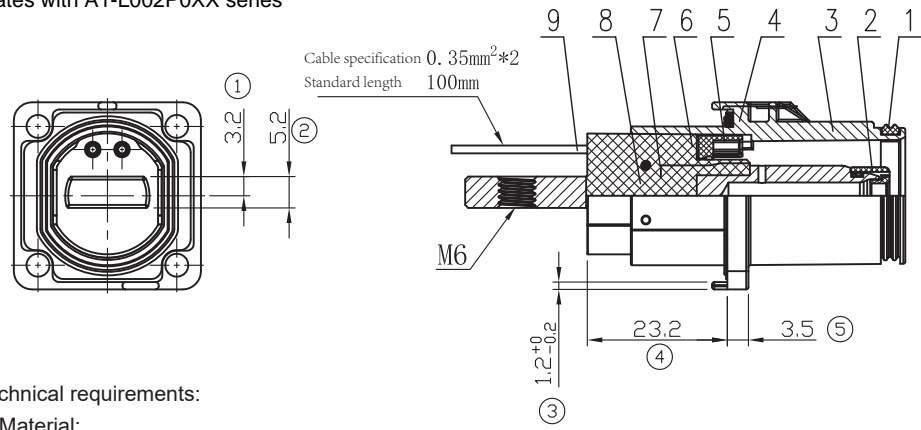


Customer selection					ECN NO.	REV	DATE	DESCRIPTION	MDF'D	APP'D
No.	Part No.	Specification	Key No / X'	3. Plug housing		A0	2022.7.3	Initial version	ZsH	Qilin

1	A1-L002S001	L002-01SY1-70N	N 192°	21L00206	Yes
2	A1-L002S002	L002-01SY1-70W	W 65°	21L00207	
3	A1-L002S003	L002-01SY1-70X	X 105°	21L00208	
4	A1-L002S004	L002-01SY1-70Y	Y 152°	21L00209	
5	A1-L002S005	L002-01SY1-70Z	Z 245°	21L00210	
6	A1-L002S006	L002-01SY1-70P	P 293°	21L00211	No
7	A1-L002S007	L002-01SN1-70N	N 192°	21L00206	
8	A1-L002S008	L002-01SN1-70W	W 65°	21L00207	
9	A1-L002S009	L002-01SN1-70X	X 105°	21L00208	
10	A1-L002S010	L002-01SN1-70Y	Y 152°	21L00209	
11	A1-L002S011	L002-01SN1-70Z	Z 245°	21L00210	
12	A1-L002S012	L002-01SN1-70P	P 293°	21L00211	



Mates with A1-L002POXX series



Technical requirements:

- Material:
 - Power terminal: T2 red copper/silver plated;
 - Signal terminal: QSn4-3 Bronze / silver plating
- Shell: 3 # zinc alloy;
- Insulator: PA66 nylon material, flame retardant grade UL94-V0;
- Waterproof parts: NE-1340 silicone rubber;
- Rated voltage: 1000V DC;
- Rated current: 250A max
- Withstand voltage: 3000V AC
- Insulation resistance:>2000M Ω (normal)
- Working temperature: - 40℃ ~+125℃ ;
- Mechanical life:>200 times
- Insertion force:<70N
- Waterproof grade: IP67/IPX9 (matching status)
- Shielding function: 360 ° shielding
- With high voltage interlock or not: Yes
- interlock line: 0.35mm² Rated temperature 200℃ , Rated voltage 600V.
- The product meets the ROHS requirements for environmental protection.

Coding rules for laser lettering
L002-01SY1-70N 21G15

Part No.
year: 2021
month: A-1 , B-2M,
Push in this way G is July
day:date of manufacture 15

10	12L00205	Protective cover	1	
9	L04-03A-003-BK000	0.35mm ² insulated high-temperature wire (black)	0.2m	interlock yes
8	B1L002001	10mm pin	1	
7	26L00200	Positioning column	2	
6	B1L002003	φ1mm socket	2	interlock yes
5	12L00204	Socket protective sleeve	1	
4	32L00200	Seal mat	1	
3	Customer selection	L002 Socket housing	1	
2	12L00203	10mm Electric shock protection cap	1	
1	33L00201	Seal ring (orange)	1	
No.	PN	Part name	Num	Backup

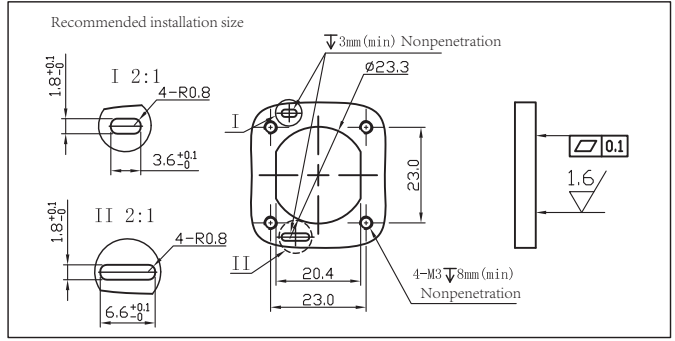
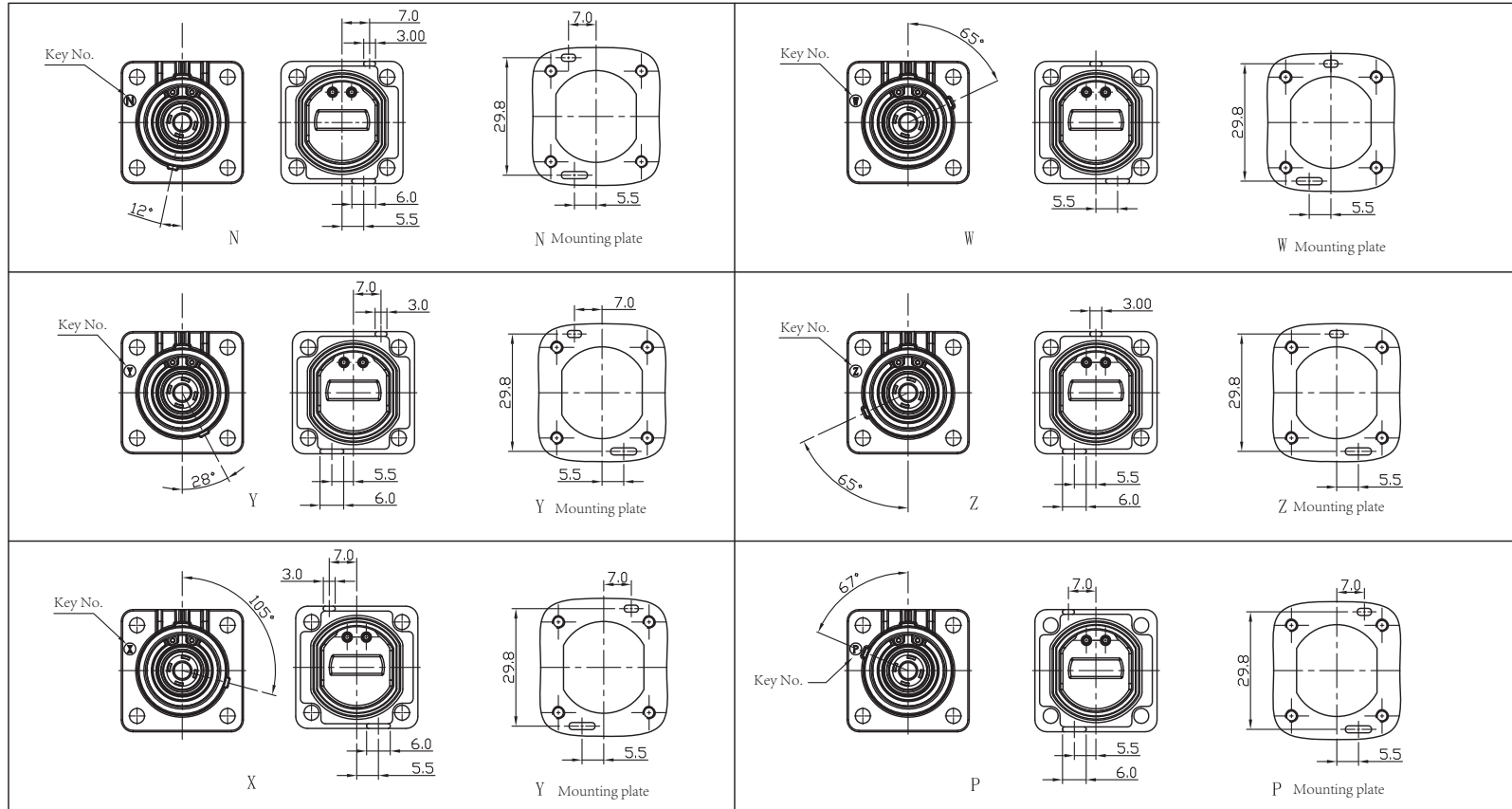
General Tolerance	Angle Tolerance
X ±0.5	±1° Unless otherwise specified, dimensions are in metric and tolerances are
.X ±0.2	
.XX ±0.1	
MATL: SEE-NOTES	
CUSTOMER-DRAWING	

POWER DYNAMICS INC.			
145 Algonquin Parkway, Whippany, NJ 07981			
Phone: 1-973-560-0019		e-mail: sales@powerdynamics.com www.powerdynamics.com	
DESIGNER	ZsH	TITLE:	L002 High Voltage Metal Connector
CHECKED	ZsH	PARTS NO:	A1-L002S0XX (Socket)
APPROVAL	Qilin	(UNIT): mm	(SCALE): 1:1 (SHT): 1/2

8 7 6 5 4 3 2 1



ECN NO.	REV	DATE	DESCRIPTION	MDF'D	APP'D
	A0	2022.7.3	Initial version	ZsH	Qilin



General Tolerance	Angle Tolerance
X ±0.5 .X ±0.2 .XX ±0.1	±1°
Unless otherwise specified, dimensions are in metric and tolerances are	

POWER DYNAMICS INC. 145 Algonquin Parkway, Whippany, NJ 07981 Phone: 1-973-560-0019 e-mail: sales@powerdynamics.com www.powerdynamics.com			
DESIGNER	ZsH	TITLE:	L002 High Voltage Metal Connector
CHECKED	ZsH	PARTS NO:	A1-L002S0XX (Socket)
APPROVAL		Qilin	(UNIT): mm (SCALE): 1:1 (SHT): 2/2

8 7 6 5 4 3 2 1